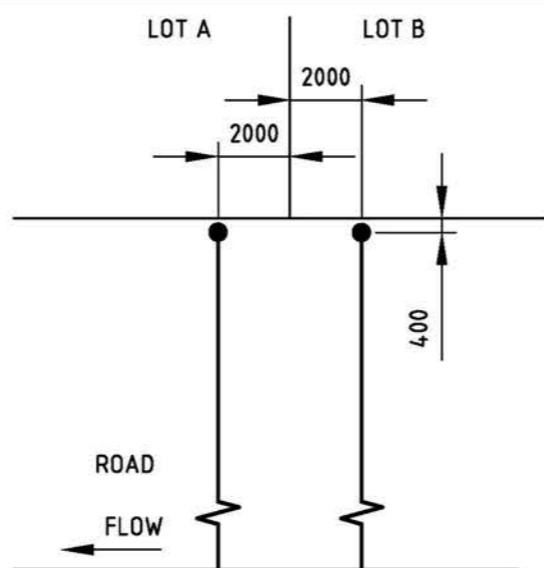
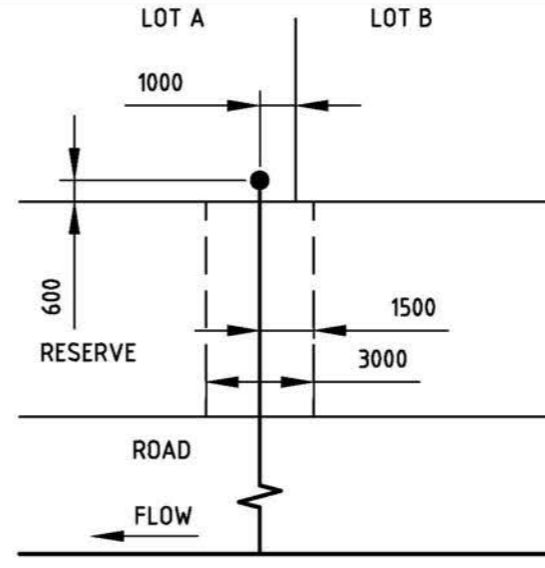


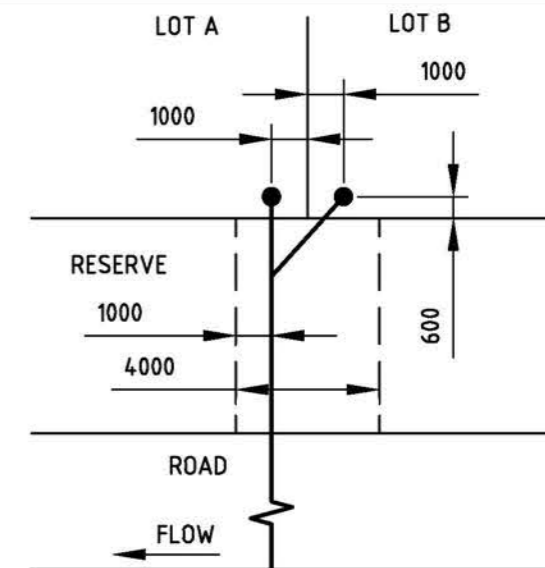
**STANDARD CONNECTION
IN ROADWAY**



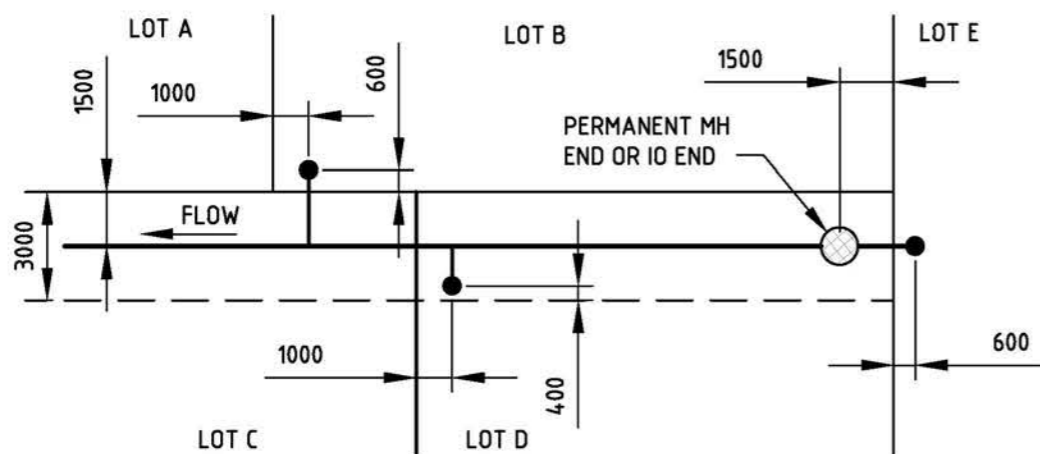
**STANDARD CONNECTION
ALLOTMENT FRONTAGE < 8m**
REFER 4005-20004-03



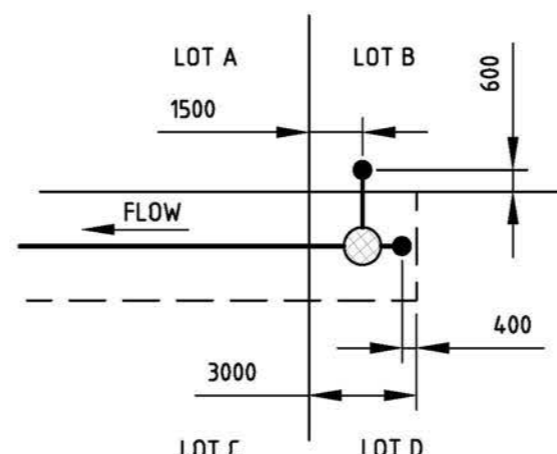
**SINGLE CONNECTION THROUGH
BUFFER RESERVE**



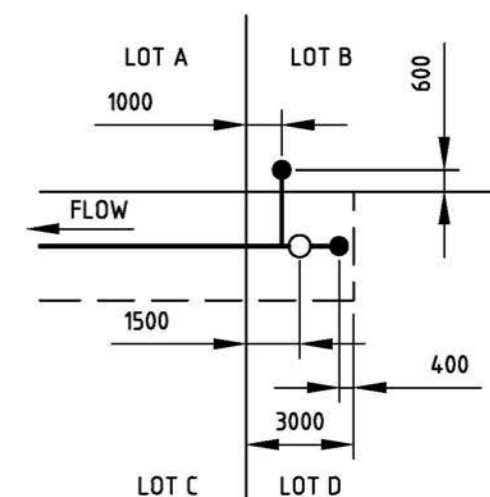
**Y CONNECTION THROUGH BUFFER
RESERVE**



STANDARD CONNECTION IN EASEMENT



**TWO CONNECTIONS OFF PERMANENT MH
OR MS END IN EASEMENT**



**TWO CONNECTIONS OFF PERMANENT IO END
IN EASEMENT**

LEGEND

● INSPECTION POINT IP		SEWER MAIN
○ INSPECTION OPENING IO		LOT BOUNDARY
⊗ MAINTENANCE HOLE MH		EASEMENT BOUNDARY

NOTES:

1. REFER 4005-20002-01 TO 4005-20002-03 FOR GENERAL NOTES.
2. REFER 4005-20005-01 FOR POSITION OF MAINTENANCE STRUCTURES.
3. AT TEMPORARY MH/ IO ENDS, CONNECTIONS SHALL BE POSITIONED TO AVOID CONFLICT WITH FUTURE EXTENSIONS OF SEWER.
4. WHERE EXISTING STRUCTURES INFLUENCE POSITION OF THE CONNECTION, THE STANDARD BOUNDARY OFFSET MAY BE ALTERED TO SUIT STRUCTURES/ SERVICES IMPACTING CONNECTION POSITION.
5. ALL CHANGES SHALL BE APPROVED BY SA WATER REPRESENTATIVE.
6. ALL DIMENSIONS ARE IN MILLIMETRES.

REVISION PANEL				
REV	DATE	DRN	DETAILS	APR
1	31/03/16	MS	2016 STANDARDS REVIEW	TG

DESIGN PANEL	
DESIGNED: 03/08/15 RJP	AUTHORISED: 31/03/16 T.GALEK
DRAWN: 25/09/15 MS	SIGNATURE: <i>T. Galek</i>
REVIEWED: 21/03/16 TG	

This drawing is the property of the
 SOUTH AUSTRALIAN
 WATER CORPORATION
 and shall not be copied or modified
 in part or in whole without authorization.

SA WATER STANDARD DRAWINGS
SEWER CONSTRUCTION MANUAL
POSITIONING OF
PROPERTY CONNECTIONS

A3	1
SHT SIZE	REVISION
TOTAL SHEETS:	
SUPERSEDES: 94-0164-01 (K1)	
DRAWING NUMBER	
4005-20006-01	
PREFIX	NUMBER SHEET

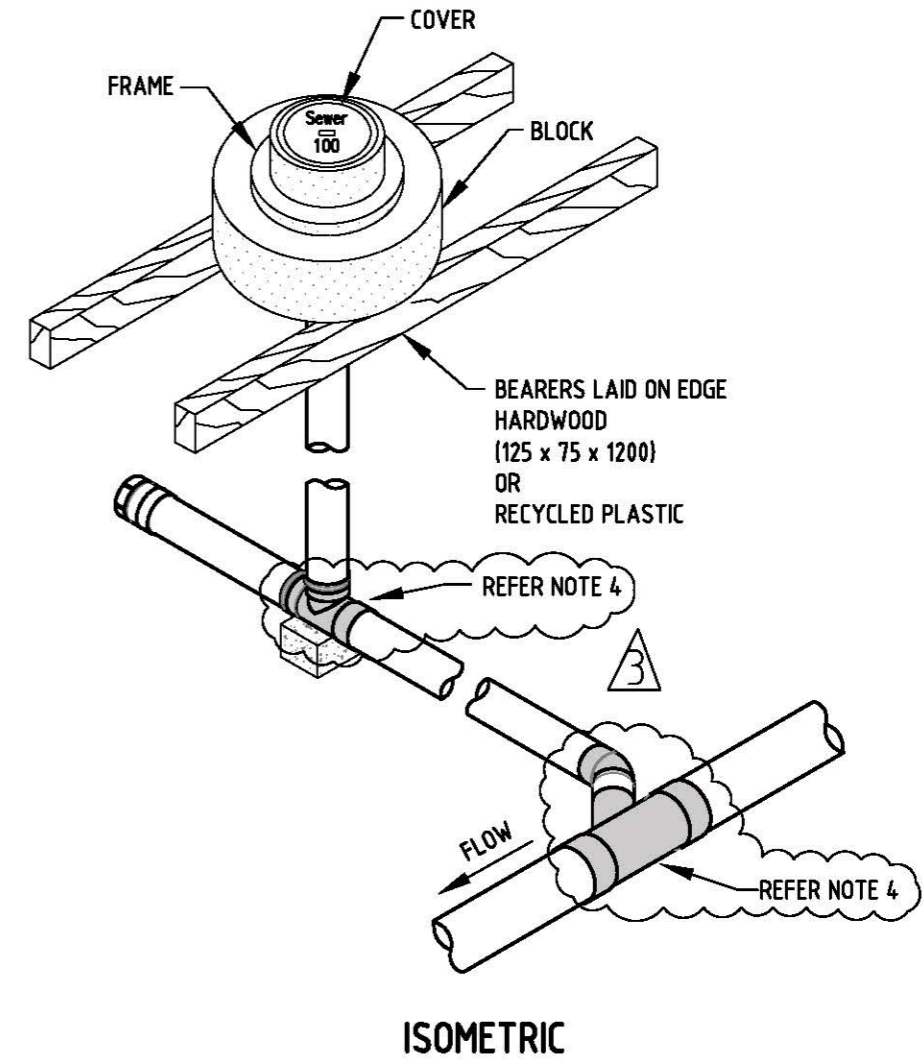
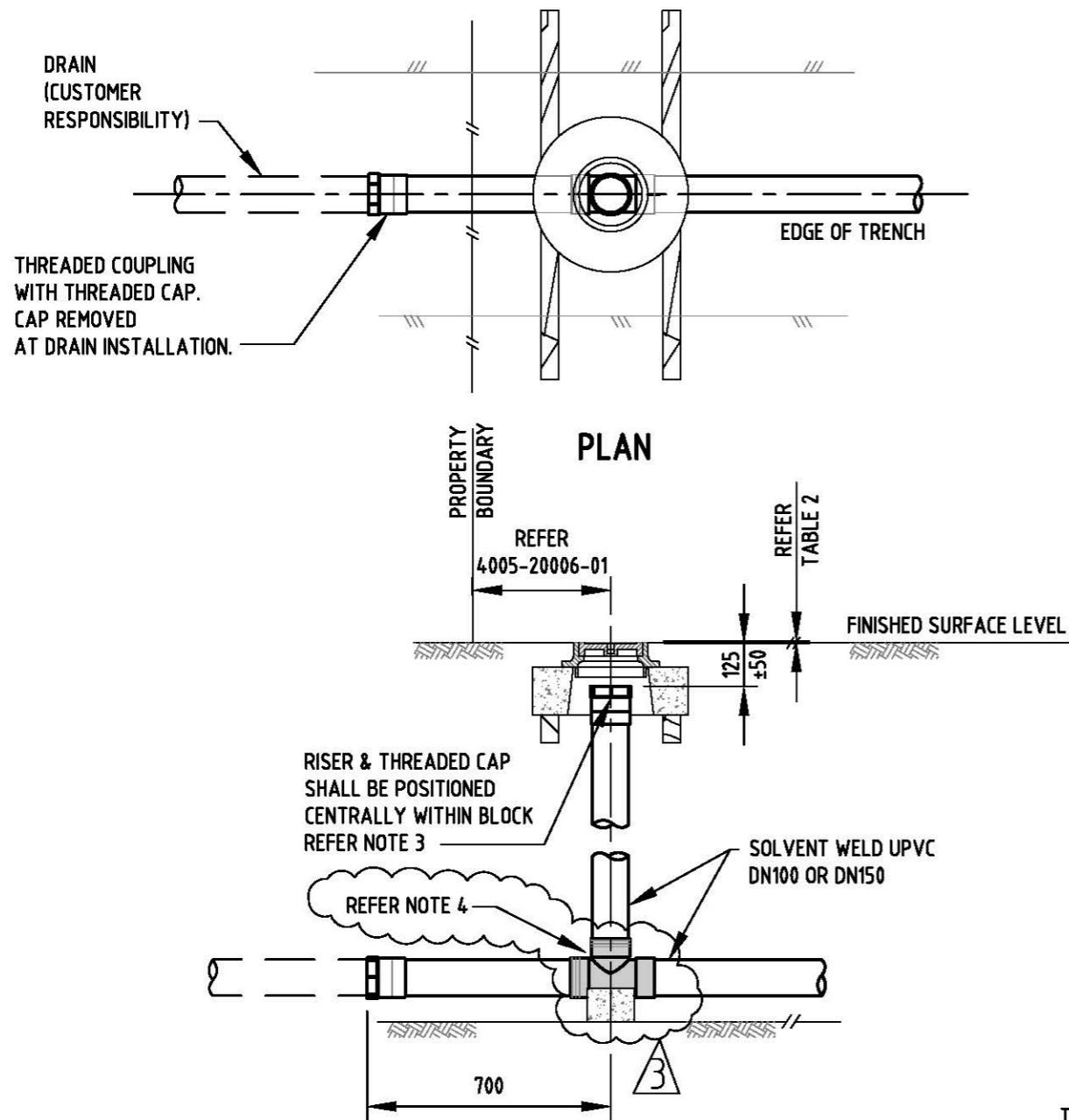


TABLE 1

INSPECTION POINT DEPTH TABLE		
CATEGORY	MIN	MAX
RESIDENTIAL (ROAD RESERVE)	1400	2600
RESIDENTIAL (EASEMENT)	800	2600
INDUSTRIAL / COMMERCIAL	1400	3500

TABLE 2

COVER & FRAME FINISHED TOLERANCE	
LOCATION	TOLERANCE
WITHIN ROAD RESERVE, FOOTPATH, DRIVEWAY, VERGE AREAS ETC.	+ 10 HIGH -5 LOW
WITHIN PRIVATE PROPERTY, SEALED AND TRAFFICABLE AREAS SUBJECT TO VEHICLE OR PEDESTRIAN TRAFFIC	+ 15 HIGH -5 LOW
WITHIN PRIVATE PROPERTY, UNSEALED AREAS, (E.G. GARDEN ETC.) SUBJECT TO OCCASIONAL TRAFFIC (VEHICLE OR PEDESTRIAN)	+ 20 HIGH -5 LOW

NOTES:

- REFER 4005-20002-01 TO 4005-20002-03 FOR GENERAL NOTES.
- REFER 4005-20006-03 FOR TYPICAL SEWER CONNECTION DETAILS.
- DURING COMPACTION OF THE CONCRETE BLOCK, THE COVER & FRAME SHALL BE REMOVED. THE CONTRACTOR SHALL ENSURE THE BLOCK DOES NOT MOVE TO IMPEDE FUTURE ACCESS TO THE THREADED CAP.
- ALL FITTINGS IDENTIFIED BY SHADING SHALL BE A 'REINFORCED' FITTING. REFER TS 0502, 3.2.11.**
- REFER SECTION 6 FOR MORE ALTERNATIVES TO THE STANDARD CONNECTION ASSEMBLY.
- WHERE THE CONNECTION DEPTH DOES NOT COMPLY WITH TABLE 1, SPECIFIC APPROVAL IS REQUIRED. THE CONSULTANT SHALL PROVIDE APPROPRIATE DETAIL ON THE DESIGN DRAWINGS TO ENABLE SA WATER TO ASSESS THE OPTION.
- ALL DIMENSIONS IN MILLIMETRES.

REVISION PANEL				
REV	DATE	DRN	DETAILS	APR
3	10/01/19	PH	REINFORCED FITTINGS CHANGES WHERE INDICATED	TG
2	08/08/18	RP	TABLE 2 ADDED; TABLE 1 AMENDED	TG
1	31/03/16	MS	2016 STANDARDS REVIEW	TG

DESIGN PANEL			
DESIGNED:	03/08/15	AUTHORISED:	31/03/16
RJP		T. GALEK	
DRAWN:	25/09/15	SIGNATURE:	
MS			
REVIEWED:	21/03/16	ORIGINAL SIGNED	
TG			

This drawing is the property of the SOUTH AUSTRALIAN WATER CORPORATION and shall not be copied or modified in part or in whole without authorization.

SA WATER STANDARD DRAWINGS
SEWER CONSTRUCTION MANUAL
INSPECTION POINT
TYPICAL DETAILS

A3	3
SHT SIZE	REVISION
TOTAL SHEETS: G	
SUPERSEDES: 94-0164-02 (K2)	
DRAWING NUMBER	
4005-20006-02	
PREFIX	NUMBER SHEET

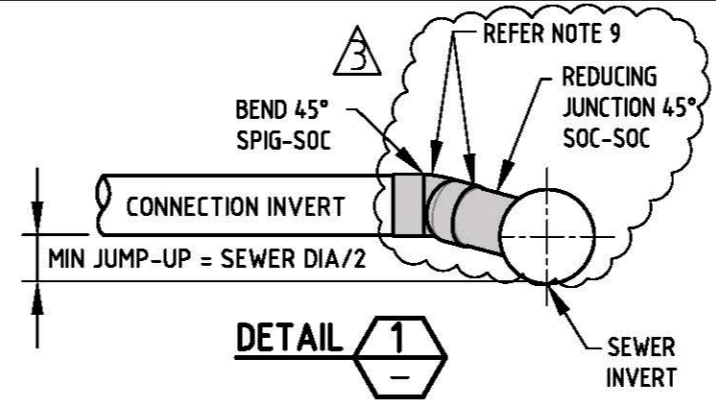
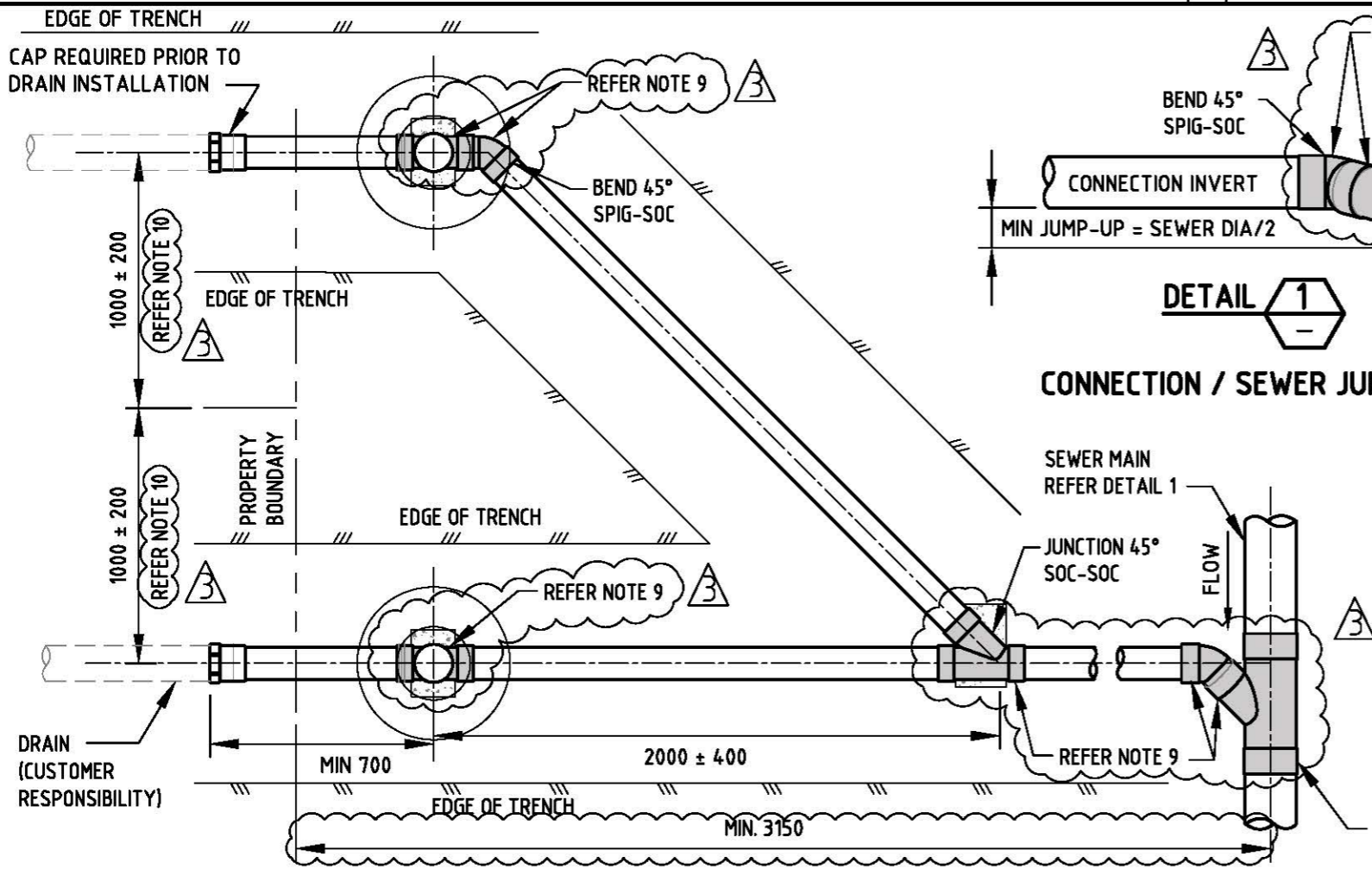
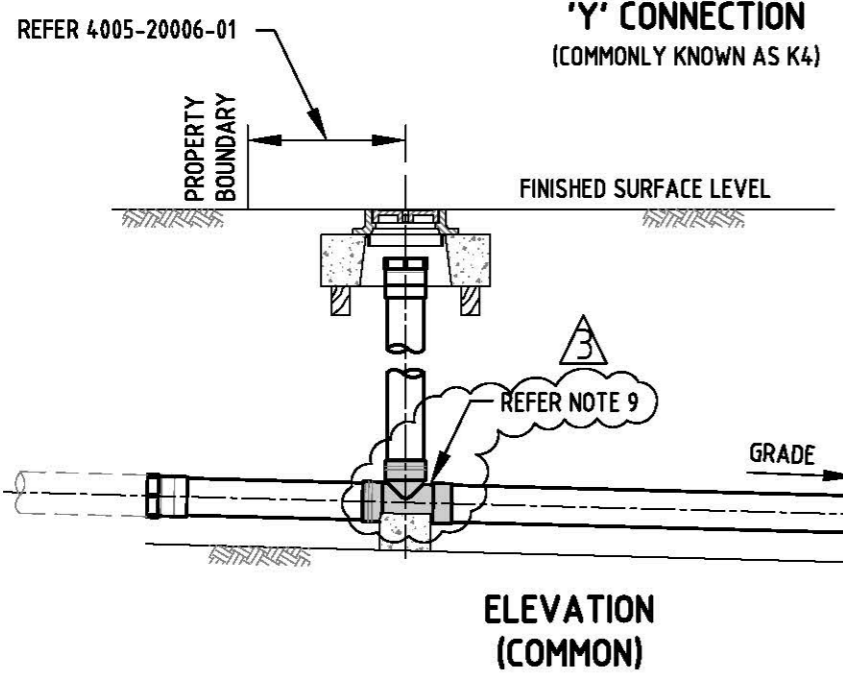
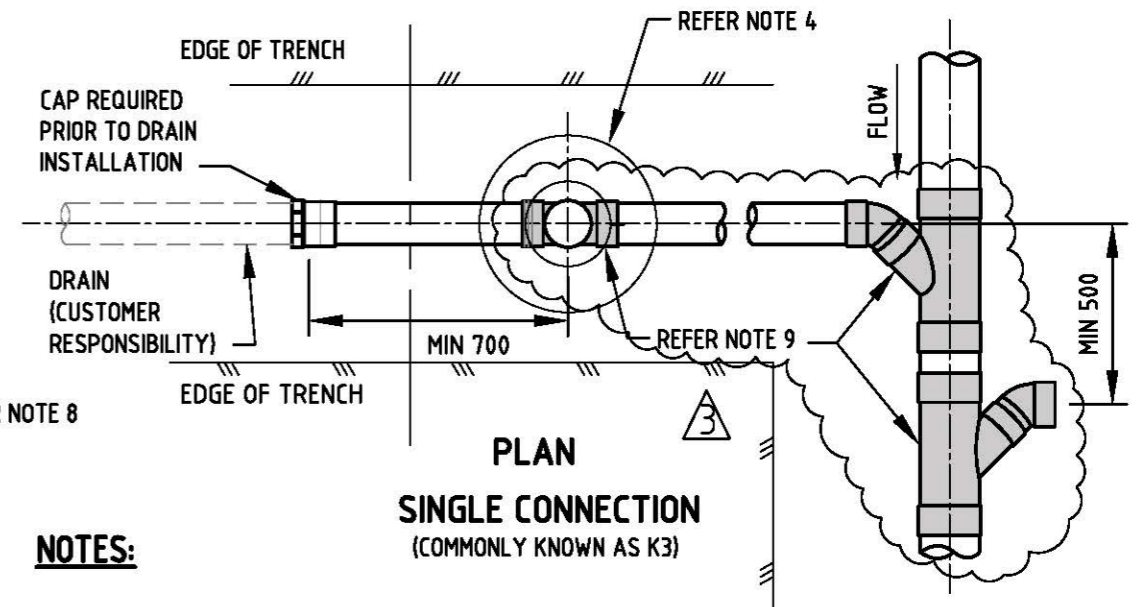


TABLE 6.3
SEWER CONNECTION MINIMUM GRADES

DN	STANDARD MIN. GRADE	ABSOLUTE MIN. GRADE (SUBJECT TO APPROVAL)
100	2.0	2.0
150	1.0	0.8

REFER NOTE 5



- NOTES:**
- REFER 4005-20002-01 TO 4005-20002-03 FOR GENERAL NOTES.
 - THE CONNECTION POINT SHALL BE LOCATED IN ACCORDANCE WITH SCM SECTION 6 AND THE APPROVED DESIGN DRAWINGS.
 - SHOULD SITE FACTORS IMPACT THE DESIGNED IP LOCATION, APPROVAL OF THE SA WATER REPRESENTATIVE SHALL BE SOUGHT FOR THE NEW LOCATION. THE REVISED LOCATION SHALL BE SHOWN ON THE 'AS CONSTRUCTED' DRAWINGS.
 - REFER 4005-20006-02 FOR IP PIPEWORK AND COVER DETAILS.
 - ABSOLUTE MINIMUM GRADES:
 - ARE ONLY PERMITTED IF THERE IS SUFFICIENT GRADE TO MAINTAIN SELF CLEANSING VELOCITY (SCV).
 - FLOW CALCULATIONS CONFIRMING SCV SHALL BE PROVIDED TO SA WATER REPRESENTATIVE FOR REVIEW AND APPROVAL.
 - Y CONNECTION SHALL NOT BE USED FOR ALLOTMENTS <8m WIDE. REFER NOTES 4005-20004-04.
 - THE MAXIMUM LENGTH OF A SEWER CONNECTION SHALL BE 30 METRES (SINGLE CONNECTION ONLY).
 - REFER 4005-20006-09 FOR NEW CONNECTION OFF EXISTING VC PIPE.
 - ALL FITTINGS IDENTIFIED BY SHADING SHALL BE A 'REINFORCED' FITTING. REFER TS 0502, 3.2.1.1.
 - WHERE POSITIONAL TOLERANCES (+/-) ARE SHOWN, THE TOLERANCE ALLOWS FOR CONSTRUCTION DIFFICULTIES ASSOCIATED WITH THE FINISHED POSITION OF THE CONNECTION OR METER. THE TOLERANCE SHALL NOT BE UTILISED BY THE DESIGNER.
 - ALL DIMENSIONS IN MILLIMETRES.

REVISION PANEL

REV	DATE	DRN	DETAILS	APR
3	10/01/19	RP	REINFORCED FITTINGS & 'Y' MIN. DIMENSION ADDED.	TG
2	08/08/18	RP	OLD DRAWING NO. REFERENCED TO CONNECTION TYPE	TG
1	31/03/16	MS	2016 STANDARDS REVIEW	TG

DESIGN PANEL

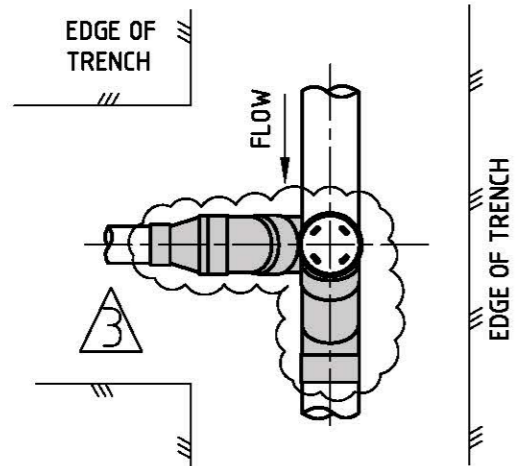
DESIGNED: 03/08/15 RJP	AUTHORISED: 31/03/16 T.GALEK
DRAWN: 25/09/15 MS	SIGNATURE:
REVIEWED: 21/03/16 TG	ORIGINAL SIGNED

SA Water
Government of South Australia

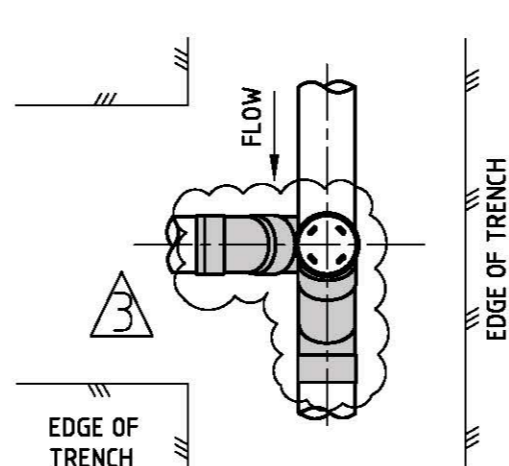
This drawing is the property of the SOUTH AUSTRALIAN WATER CORPORATION and shall not be copied or modified in part or in whole without authorization.

SA WATER STANDARD DRAWINGS
SEWER CONSTRUCTION MANUAL
STANDARD CONNECTION
SINGLE AND 'Y' TYPE

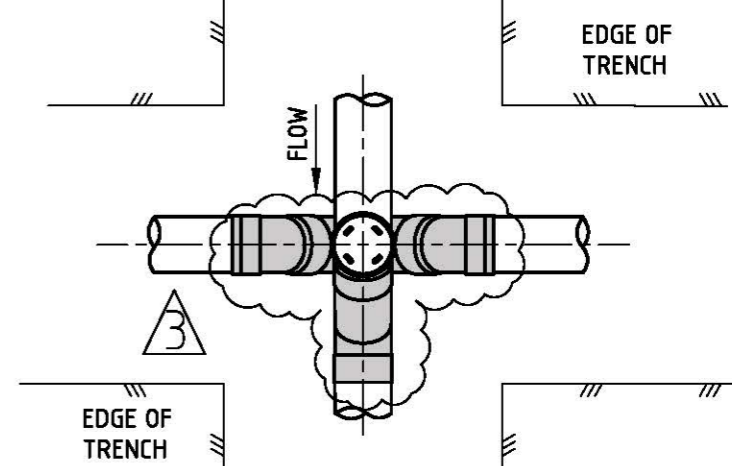
A3 SHT SIZE	3 REVISION
TOTAL SHEETS:	
SUPERSEDES: K3, K4	
DRAWING NUMBER	
4005-20006-03	
PREFIX	NUMBER SHEET



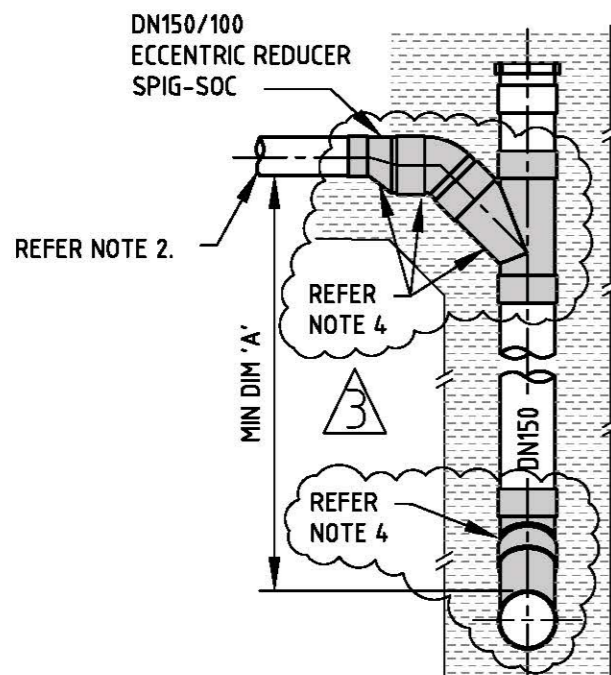
PLAN



PLAN

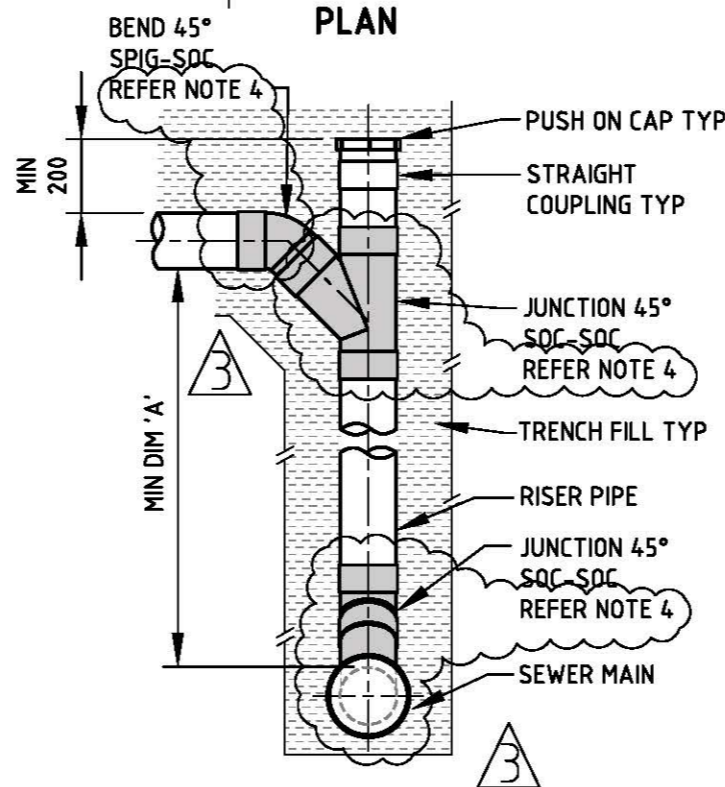


PLAN



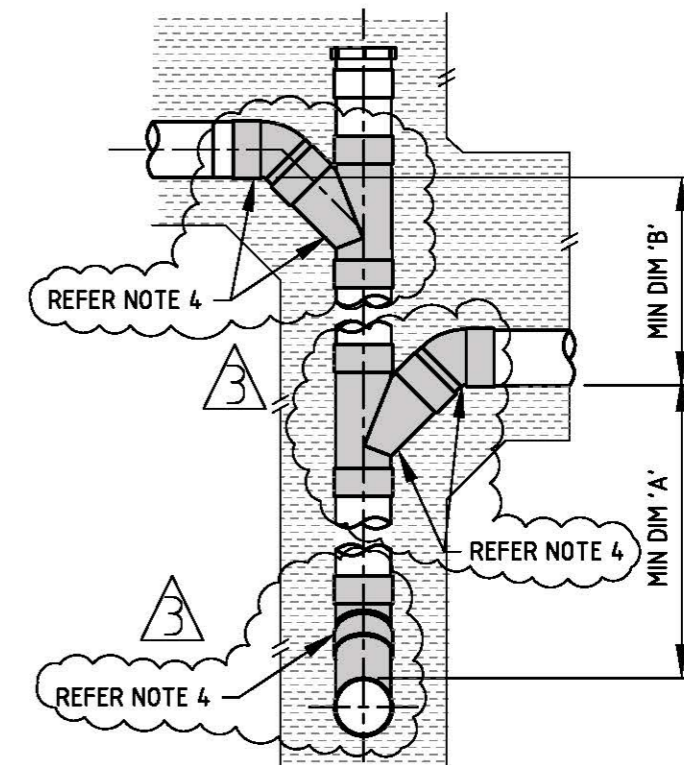
ELEVATION

RISER FOR DN 100 SINGLE CONNECTION
(COMMONLY KNOWN AS K5)



ELEVATION

RISER FOR DN 150 SINGLE CONNECTION
(COMMONLY KNOWN AS K5)



ELEVATION

RISER FOR DUAL CONNECTION
(COMMONLY KNOWN AS K5)

NOTES:

1. REFER 4005-20002-01 TO 4005-20002-03 FOR GENERAL NOTES.
2. REFER 4005-20006-03 FOR TYPICAL SEWER CONNECTION DETAILS.
3. REFER SECTION 6 FOR MORE ALTERNATIVES TO THE STANDARD CONNECTION ASSEMBLY.
4. ALL FITTINGS IDENTIFIED BY SHADING SHALL BE A 'REINFORCED' FITTING. REFER TS 0502, 3.2.1.1.
5. ALL DIMENSIONS IN MILLIMETRES.

DROP DIMENSIONS		
DN	MIN 'A'	MIN 'B'
100	600	450
150	600	450

REVISION PANEL				DESIGN PANEL		 SA WATER STANDARD DRAWINGS SEWER CONSTRUCTION MANUAL PROPERTY CONNECTION WITH VERTICAL RISER	A3	3
REV	DATE	DRN	DETAILS	APR	CURRENT REV 26/02/19		SHT SIZE	REVISION
3	10/01/19	RP	REINFORCED FITTINGS ADDED WHERE INDICATED		AUTHORISED: T. GALEK			
2	08/08/18	RP	OLD DRAWING NO ADDED TO CONNECTION TYPE	TG	SIGNATURE: <i>T. Galek</i>			
1	31/03/16	MS	2016 STANDARDS REVIEW	TG	SIGNATURE: ORIGINAL SIGNED			

This drawing is the property of the SOUTH AUSTRALIAN WATER CORPORATION and shall not be copied or modified in part or in whole without authorization.

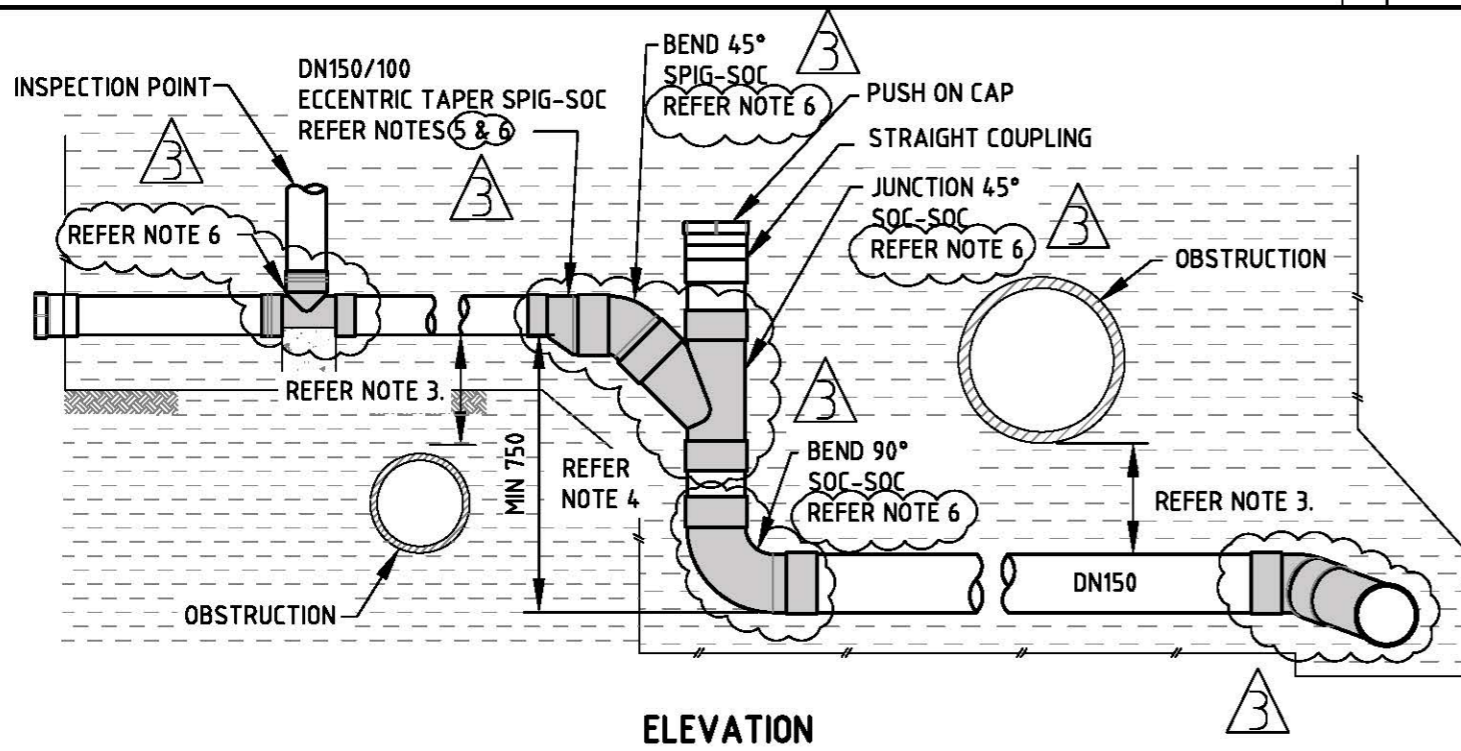
TOTAL SHEETS: T. GALEK

SUPERSEDES: 94-0164-05 (K5)

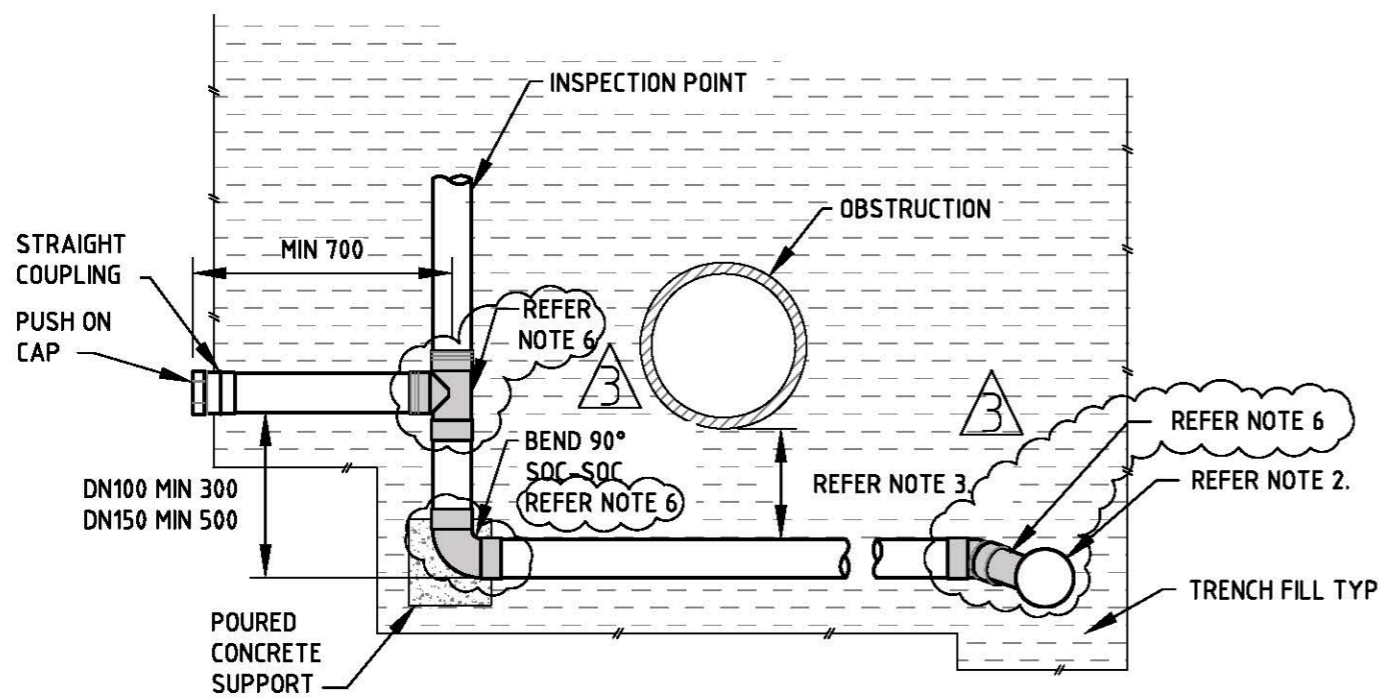
DRAWING NUMBER

4005-20006-04

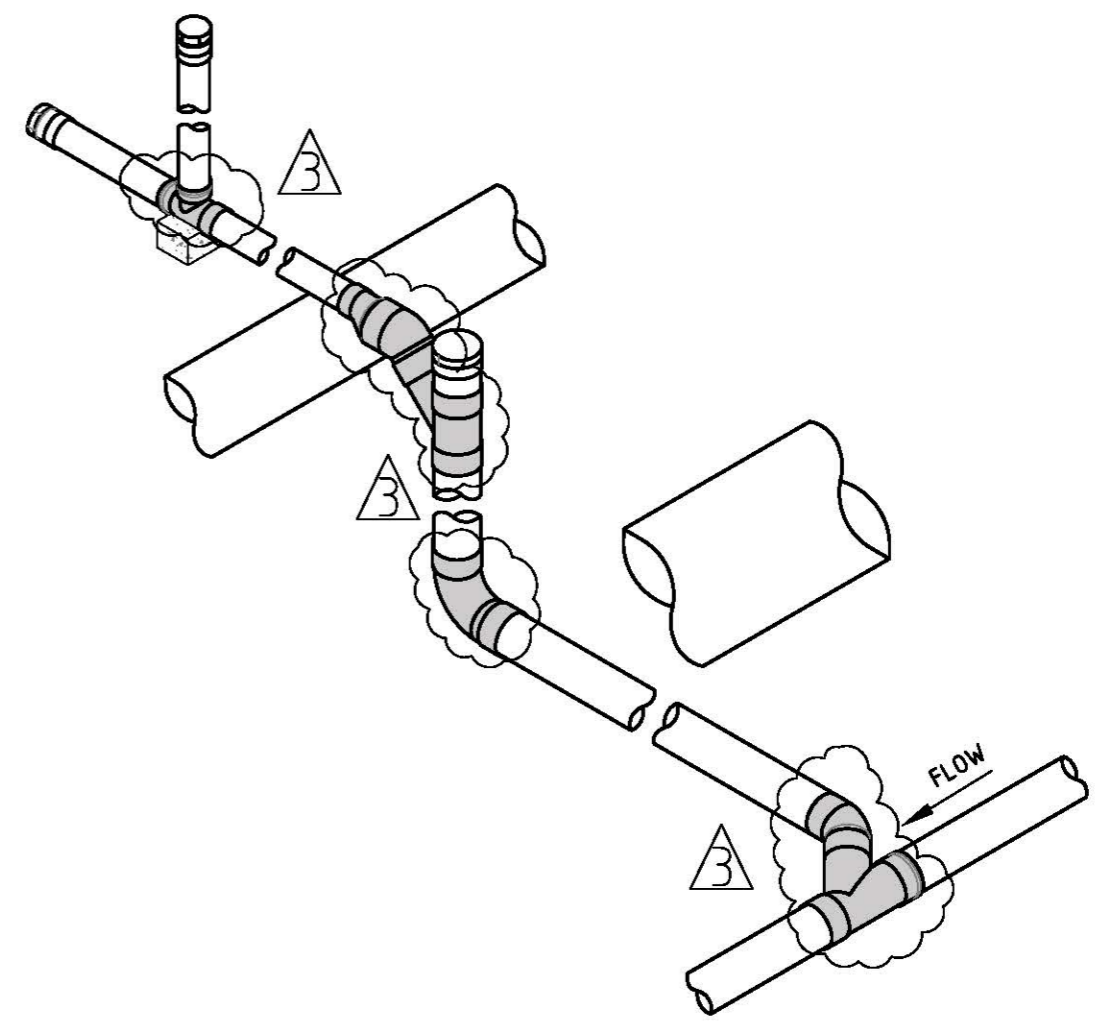
PREFIX NUMBER SHEET



ELEVATION
DOUBLE OBSTRUCTION WITH INTERMEDIATE RISER
 (COMMONLY KNOWN AS K7)



ELEVATION
SINGLE OBSTRUCTION
 (COMMONLY KNOWN AS K6)




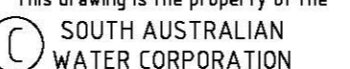
ISOMETRIC

NOTES:

1. REFER 4005-20002-01 TO 4005-20002-03 FOR GENERAL NOTES.
2. REFER 4005-20006-03 FOR TYPICAL SEWER CONNECTION DETAILS.
3. REFER WSA02 TABLE 5.4 FOR MINIMUM CLEARANCE DIMENSION FROM OBSTRUCTION.
4. AN INTERMEDIATE RISER SHALL ONLY BE USED WHERE OBSTRUCTIONS PRECLUDE THE USE OF A STANDARD CONNECTION. THE USE OF AN INTERMEDIATE RISER SHALL BE APPROVED BY THE SA WATER REPRESENTATIVE.
5. FOR A DN150 CONNECTION USING THE INTERMEDIATE RISER OPTION, THE ECCENTRIC TAPER IS NOT REQUIRED.
6. ALL FITTINGS IDENTIFIED BY SHADING SHALL BE A 'REINFORCED' FITTING. REFER TS 0502, 32.11.
7. ALL DIMENSIONS IN MILLIMETRES.

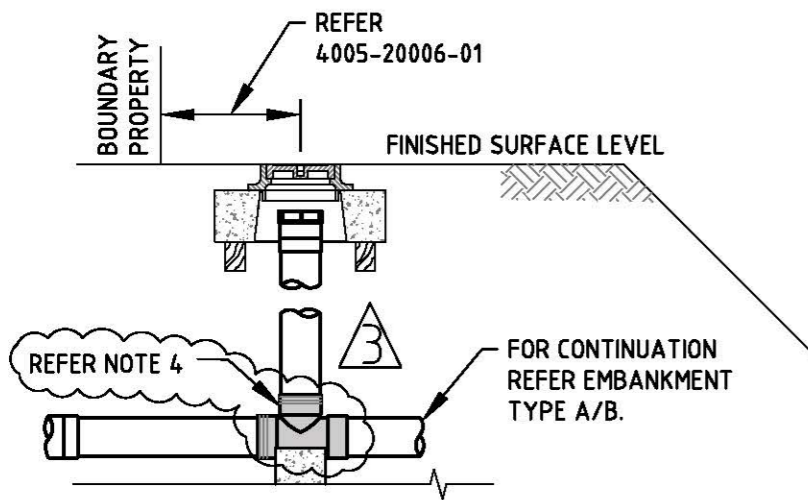
REVISION PANEL				
REV	DATE	DRN	DETAILS	APR
3	10/01/19	RP	REINFORCED FITTINGS ADDED WHERE INDICATED	TG
2	03/04/17	RP	OLD DRAWING NO ADDED TO CONNECTION TYPE	TG
1	31/03/16	MS	2016 STANDARDS REVIEW	TG

DESIGN PANEL			
DESIGNED:	03/08/15	AUTHORISED:	31/03/16
RJP		T.GALEK	
DRAWN:	25/09/15	SIGNATURE:	
MS			
REVIEWED:	21/03/16	ORIGINAL SIGNED	
TG			

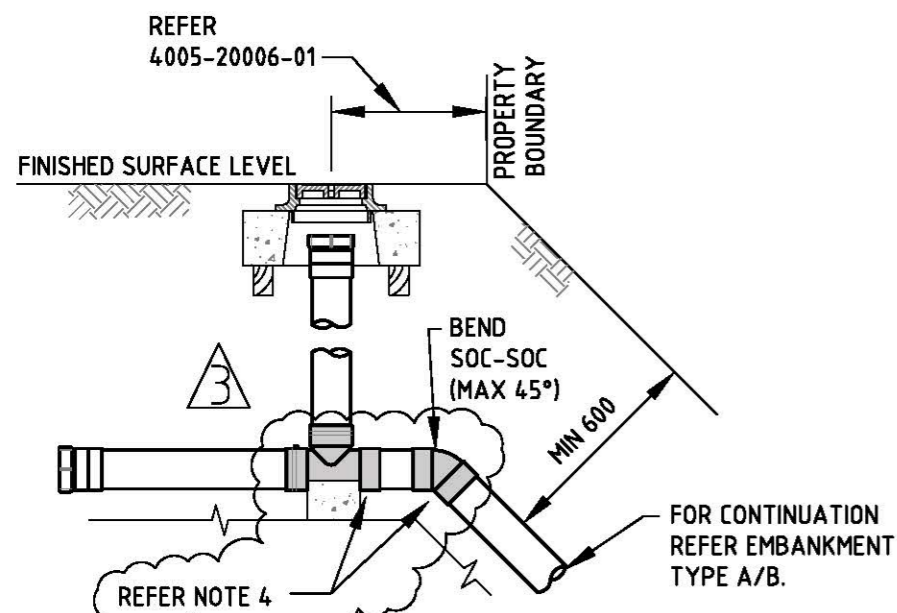
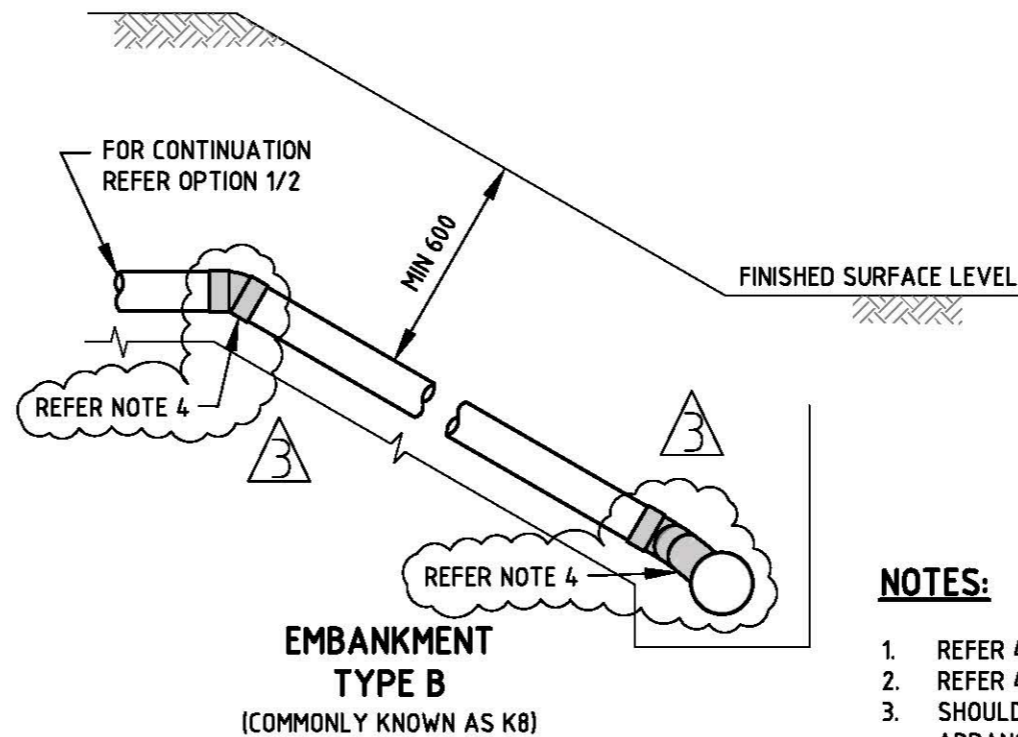
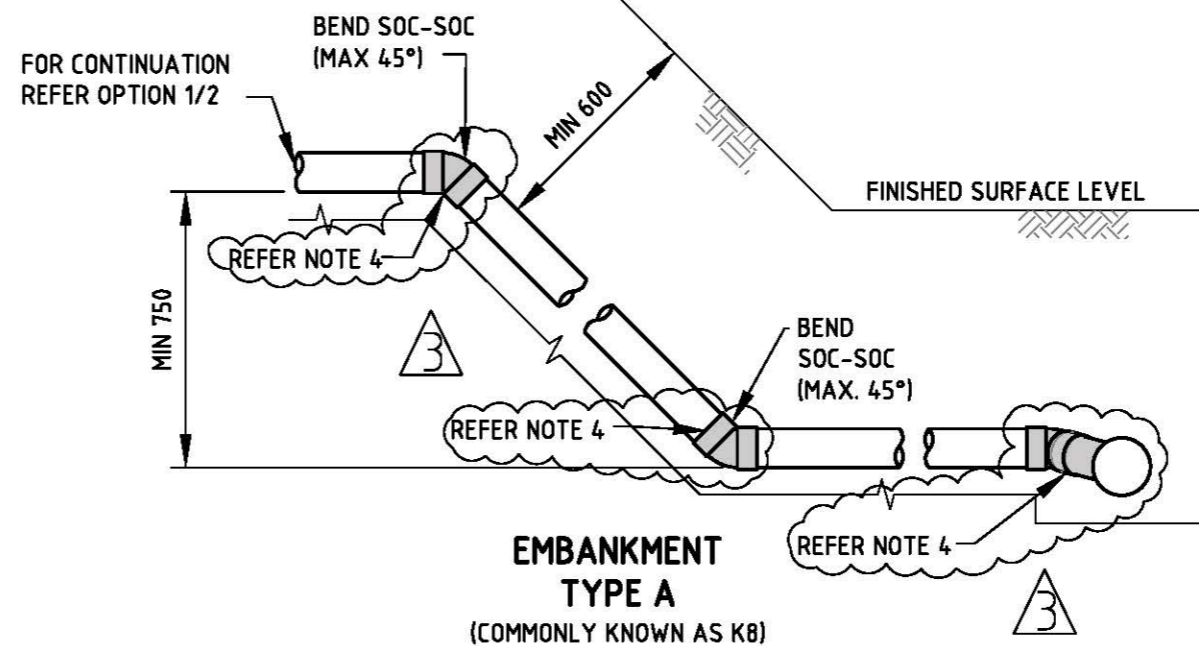

 This drawing is the property of the

 SOUTH AUSTRALIAN WATER CORPORATION
 and shall not be copied or modified
 in part or in whole without authorization.

SA WATER STANDARD DRAWINGS
SEWER CONSTRUCTION MANUAL
PROPERTY CONNECTION
WITH INTERMEDIATE RISER

A3	3
SHT SIZE	REVISION
TOTAL SHEETS:	
SUPERSEDES: K6, K7	
DRAWING NUMBER	
4005-20006-05	
PREFIX	NUMBER SHEET



**OPTION 1
IP OUTSIDE PROPERTY BOUNDARY**

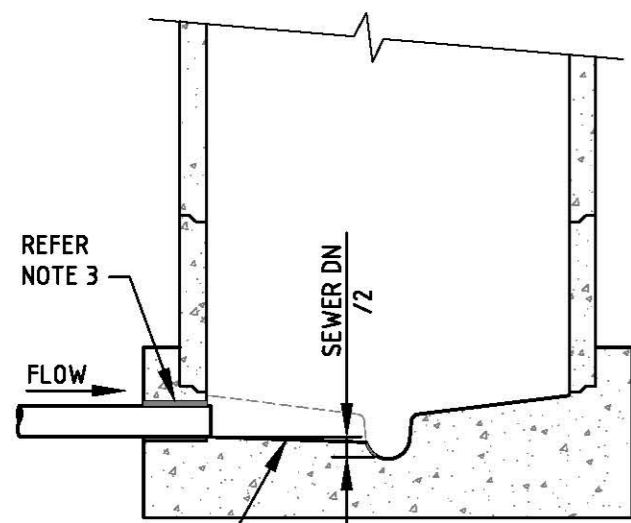


**OPTION 2
IP WITHIN ALLOTMENT BOUNDARY**

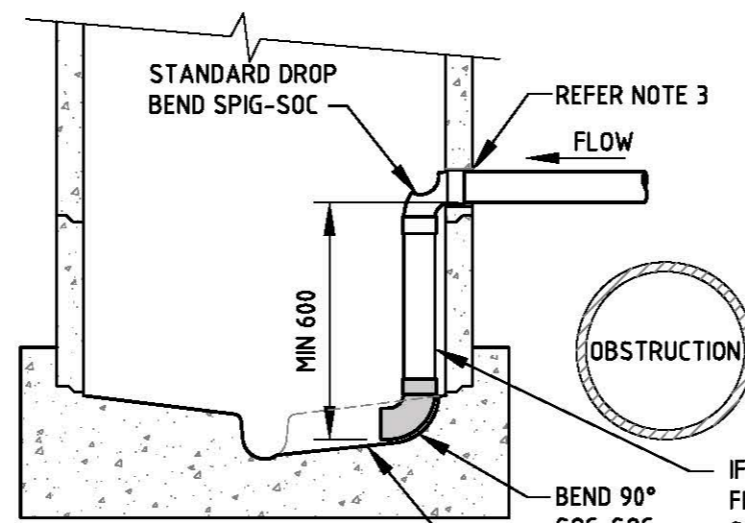
NOTES:

1. REFER 4005-20002-01 TO 4005-20002-03 FOR GENERAL NOTES.
2. REFER 4005-20006-03 FOR TYPICAL SEWER CONNECTION DETAILS.
3. SHOULD SITE CONDITIONS REQUIRE MODIFICATION TO THE STANDARD ARRANGEMENTS DISPLAYED, APPROVAL SHALL BE SOUGHT FROM THE SA WATER REPRESENTATIVE PRIOR TO ANY WORK BEING UNDERTAKEN.
4. ALL FITTINGS IDENTIFIED BY SHADING SHALL BE A 'REINFORCED' FITTING. REFER TS 0502, 3.2.1.1.
5. ALL DIMENSIONS IN MILLIMETRES.

REVISION PANEL					DESIGN PANEL			<p>SA WATER STANDARD DRAWINGS SEWER CONSTRUCTION MANUAL PROPERTY CONNECTIONS THROUGH EMBANKMENT</p>	A3		3
REV	DATE	DRN	DETAILS	APR	DESIGNED:	AUTHORISED:	SHT SIZE		TOTAL SHEETS:	REVISION	
3	10/01/19	PH	REINFORCED FITTINGS ADDED WHERE INDICATED	TG	DESIGNED: 03/08/15 RJP	AUTHORISED: 31/03/16 T.GALEK	SUPERSEDES: 94-0164-09 (K8) DRAWING NUMBER 4005-20006-06 PREFIX NUMBER SHEET				
2	03/04/17	RP	OLD DRAWING NO. ADDED TO CONNECTION TYPE	TG	DRAWN: 25/09/15 MS	SIGNATURE:					
1	31/03/16	MS	2016 STANDARDS REVIEW	TG	REVIEWED: 21/03/16 TG	ORIGINAL SIGNED					

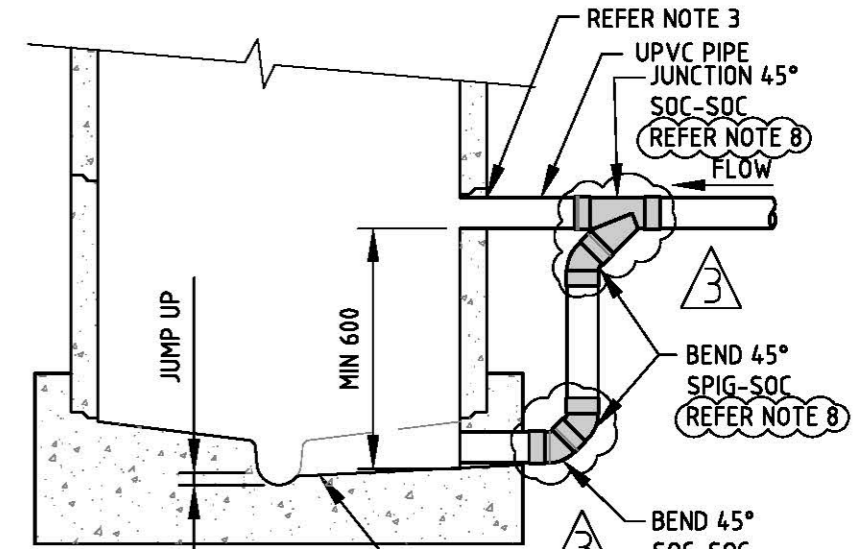


REFER NOTE 4
ELEVATION
MAINTENANCE HOLE WITH SEWER CONNECTION AT INVERT LEVEL

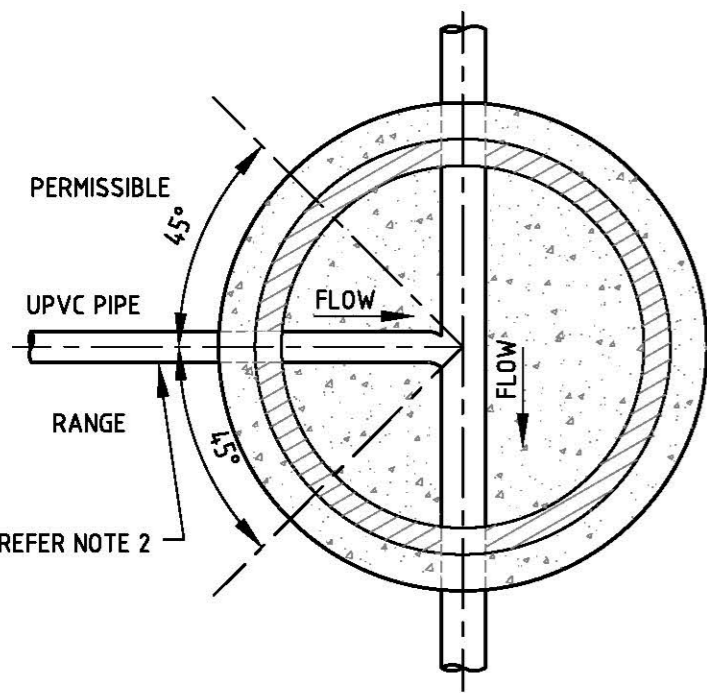


ELEVATION
MAINTENANCE HOLE WITH INTERNAL JUMP UP CONNECTION (PREFERRED)
FORMED/ REFORMED CONCRETE CHANNEL AT SEWER GRADIENT

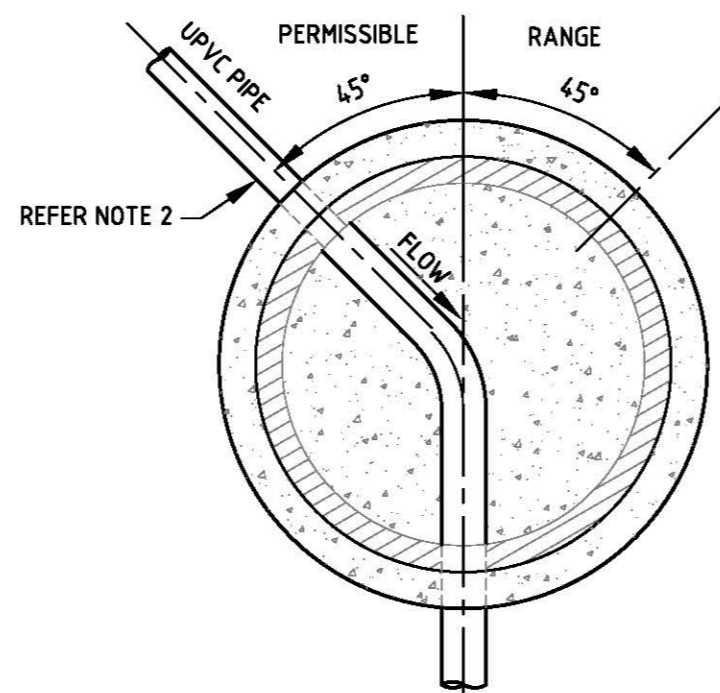
IF JUMP UP LARGER THAN 900, FIX TO WALL WITH GRADE 316 STAINLESS STEEL STRAP AND STAINLESS STEEL ANCHORS AT TOP AND BOTTOM AND AT MAX OF 750 INTERVALS.



ELEVATION
MAINTENANCE HOLE WITH EXTERNAL JUMP UP CONNECTION (SUBJECT TO APPROVAL)



PLAN
CONNECTION LEFT/ RIGHT INTO MAINTENANCE HOLE (COMMONLY KNOWN AS K9)



PLAN
CONNECTION AHEAD INTO MAINTENANCE HOLE (COMMONLY KNOWN AS K10)

NOTES:

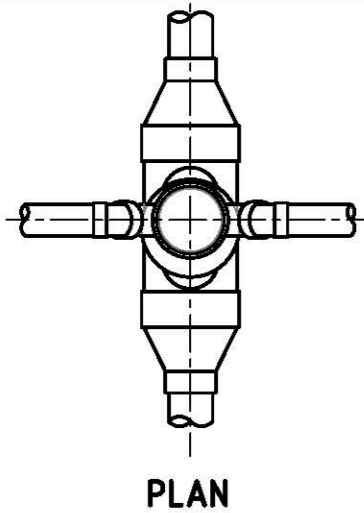
1. REFER 4005-20002-01 TO 4005-20002-03 FOR GENERAL NOTES.
2. CONNECTIONS INTO A MAINTENANCE HOLE CAN BE AHEAD, LEFT OR RIGHT SIDE. THE PIPE ANGLE SHALL BE WITHIN THE PERMISSIBLE RANGE AS SHOWN.
3. REFER 4005-20005-03 FOR MAINTENANCE HOLE TYPICAL PRECAST STRUCTURE ASSEMBLY DETAILS AND CORING/ REMEDIATION OF THE PIPE THROUGH THE WALL.
4. CONNECTION CHANNELS AND BENCHING SHALL BE SIMILARLY CONSTRUCTED TO SEWER CHANNEL AND BENCHING. REFER 4005-20005-06.
5. FOR JUMP UP CONNECTIONS, THE INTERNAL JUMP UP IS THE PREFERRED OPTION. FOR USE OF THE EXTERNAL OPTION APPROVAL FROM THE SA WATER REPRESENTATIVE SHALL BE SOUGHT.
6. FOR STEEP SEWER GRADIENTS, USE ADDITIONAL BEND(S) TO ENSURE JUMP UP REMAINS VERTICAL.
7. MAXIMUM OF 2 INTERNAL JUMP-UPS PER MAINTENANCE HOLE SHALL BE PERMITTED.
8. ALL FITTINGS IDENTIFIED BY SHADING SHALL BE A 'REINFORCED' FITTING. REFER TS 0502, 3.2.1.1.
9. ALL DIMENSIONS IN MILLIMETRES.

REVISION PANEL				
REV	DATE	DRN	DETAILS	APR
3	10/01/19	PH	REINFORCED FITTINGS ADDED WHERE INDICATED	TG
2	03/04/17	RJP	CONNECTION AT INVERT AND ANGLE RANGE ADDED	TG
1	31/03/16	MS	2016 STANDARDS REVIEW	TG

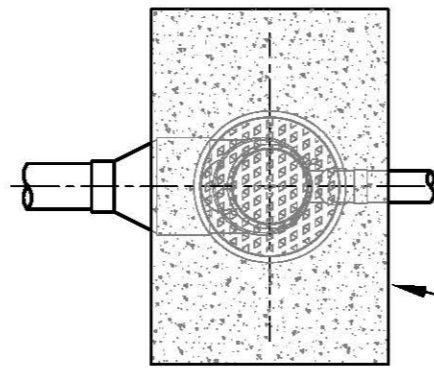
DESIGN PANEL		
DESIGNED:	03/08/15	AUTHORISED:
RJP		T.GALEK
DRAWN:	25/09/15	SIGNATURE:
MS		
REVIEWED:	21/03/16	ORIGINAL SIGNED
TG		

SA WATER STANDARD DRAWINGS
SEWER CONSTRUCTION MANUAL
PROPERTY CONNECTIONS
INTO MAINTENANCE HOLE
OPTIONS

A3	3
SHT SIZE	REVISION
TOTAL SHEETS:	
SUPERSEDES: K9, K10	
DRAWING NUMBER	
4005-20006-07	
PREFIX	NUMBER SHEET



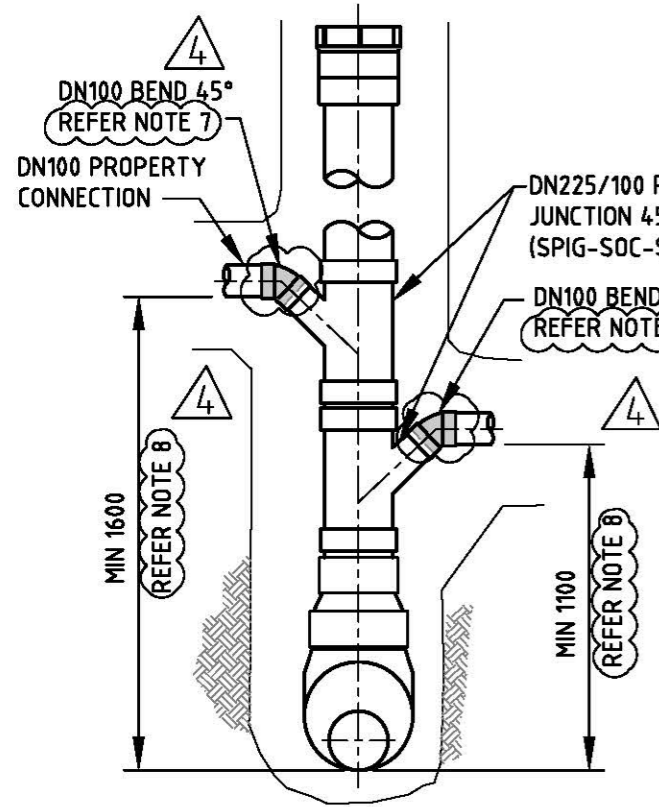
PLAN



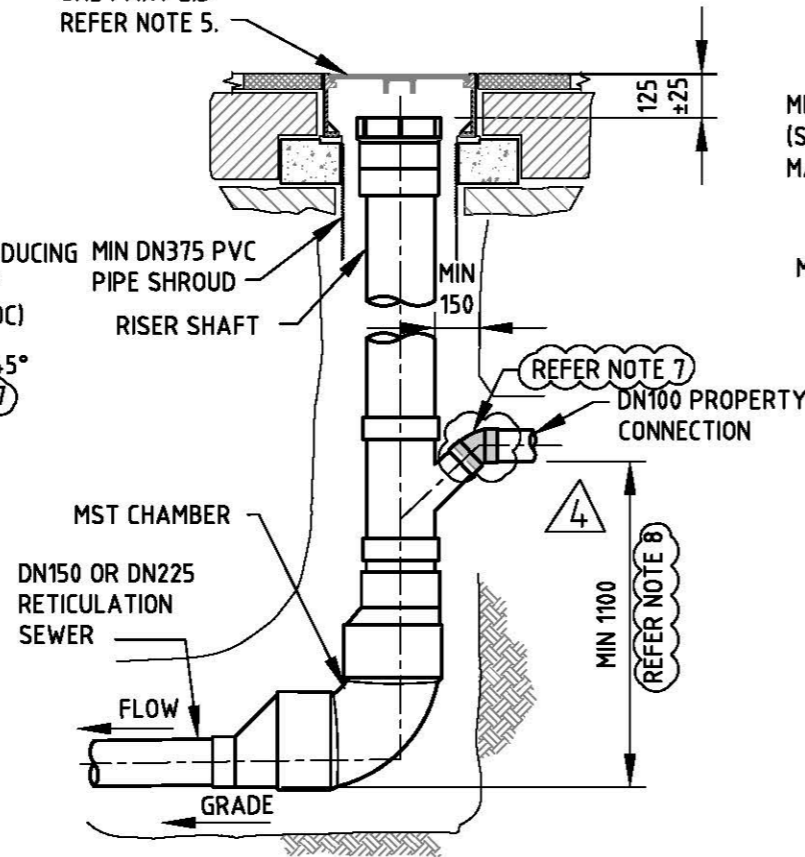
PLAN

1200 x 800 x 170
RECTANGULAR
SUPPORT SLAB

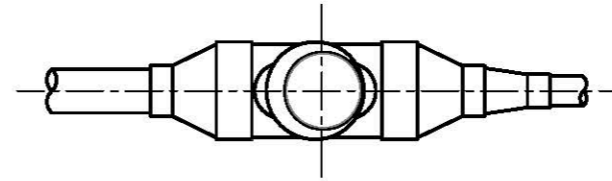
STREET BOX (HALF
HEIGHT)
ONE PART LID
REFER NOTE 5.



**MAINTENANCE SHAFT
WITH MULTIPLE CONNECTIONS INTO RISER
USING OBLIQUE JUNCTION & BEND**
(COMMONLY KNOWN AS L18R)
ELEVATION



**TERMINAL END (MST)
WITH CONNECTION INTO RISER
USING OBLIQUE JUNCTION & BEND**
(COMMONLY KNOWN AS L18R)
ELEVATION

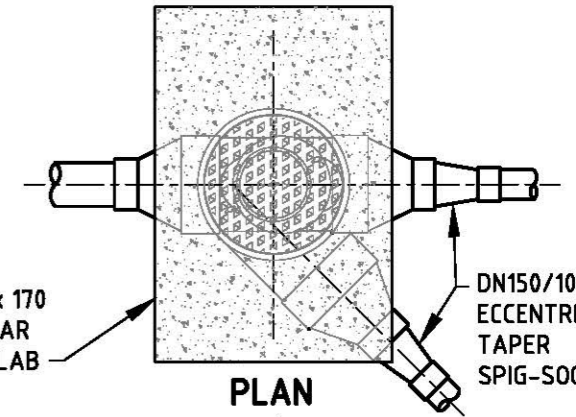


PLAN

MIN DN225 SHAFT
(SIZE DEPENDS UPON
MANUFACTURER.)

MS CHAMBER

**MAINTENANCE SHAFT
WITH CONNECTION AHEAD**
(COMMONLY KNOWN AS L18)
ELEVATION



1200 x 800 x 170
RECTANGULAR
SUPPORT SLAB

PLAN

DN150/100
ECCENTRIC
TAPER
SPIG-SOC

MIN DN375 PVC
PIPE SHROUD

DN150/100
ECCENTRIC TAPER
SPIG-SOC

DN100
PROPERTY
CONNECTION

**MAINTENANCE SHAFT
WITH MULTIPLE CONNECTIONS**
(COMMONLY KNOWN AS L18)
ELEVATION

NOTES:

- REFER 4005-20002-01 TO 4005-20002-03 FOR GENERAL NOTES.
- MAXIMUM 2 PROPERTY CONNECTIONS PERMITTED INTO ONE MAINTENANCE SHAFT, INCLUDING 'DROP JUNCTION' OPTION. DISPENSATION FROM THIS REQUIREMENT WILL REQUIRE APPROVAL OF THE SA WATER REPRESENTATIVE AND WOULD BE BASED UPON THE JOB SPECIFIC CIRCUMSTANCES, E.G. SEWER FLOWS ETC.
- ADJUST MS TO PIPE GRADE BY TILTING CHAMBER. MAX DEVIATION FROM VERTICAL OF THE RISER TO BE 1:10 OR A MAXIMUM OF 300 AT SURFACE. USE THE 'KICKER BEND' (NOT SHOWN), IF REQUIRED TO ADJUST RISER TO VERTICAL. REFER 4005-20005-10 & 4005-20005-11 FOR MAINTENANCE SHAFT DETAILS.
- LID & COVER TO BE STREET BOX. REFER TS 0502 FOR MANUFACTURER DETAILS. INSTALLATION SHALL BE AS PER 4005-20005-04.
- MANUFACTURERS OF MAINTENANCE SHAFTS CONFIRM A MAXIMUM DEPTH TO INVERT VARYING FROM 3000 TO 5000. REFER TS 0502, 3.3.2 FOR MANUFACTURER LIMITATIONS.
- ALL FITTINGS IDENTIFIED BY SHADING SHALL BE A 'REINFORCED' FITTING. REFER TS 0502, 3.2.1.1.
- IF AYMROO CAMS MS IS UTILISED THIS DIMENSION IS INCREASED. THE DESIGNER SHALL REFER MANUFACTURER PRODUCT INFORMATION TO DETERMINE THE REQUIRED INVERT OF THE CONNECTION.
- ALL DIMENSIONS IN MILLIMETRES.

REVISION PANEL

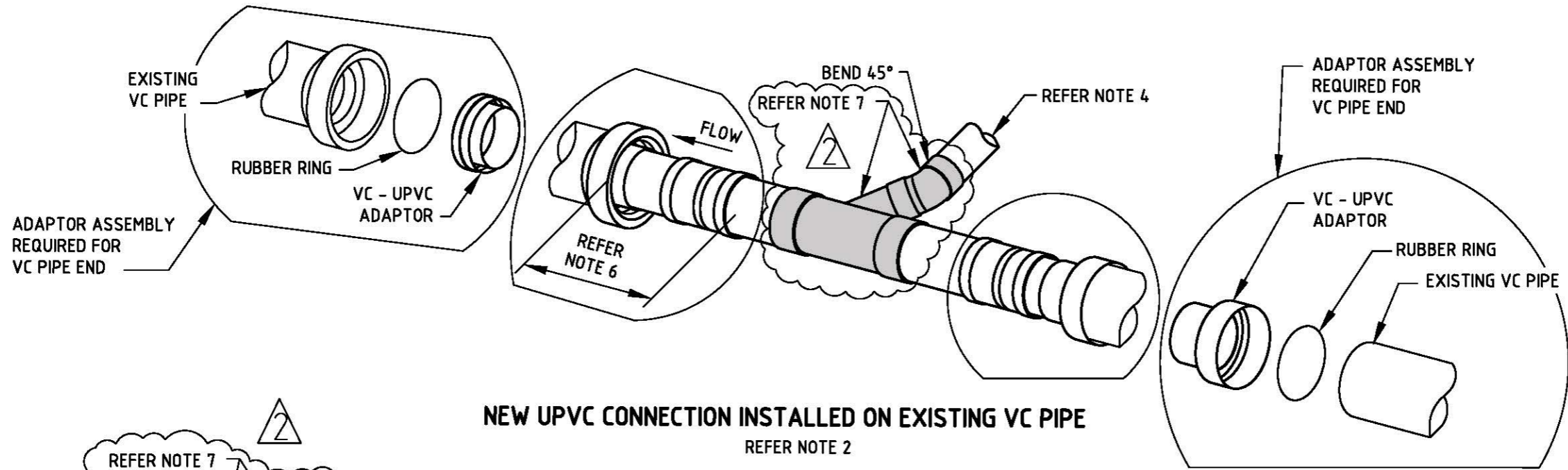
REV	DATE	DRN	DETAILS	APR
4	15/02/19	RP	REINFORCED FITTINGS ADDED & NOTES CHANGED.	TG
3	08/05/18	RP	NOTE 2 AMENDED.	TG
2	03/04/17	RP	COVER CHANGED TO STREET BOX. NOTES CHANGED.	TG
1	31/03/16	MS	2016 STANDARDS REVIEW	TG

DESIGN PANEL

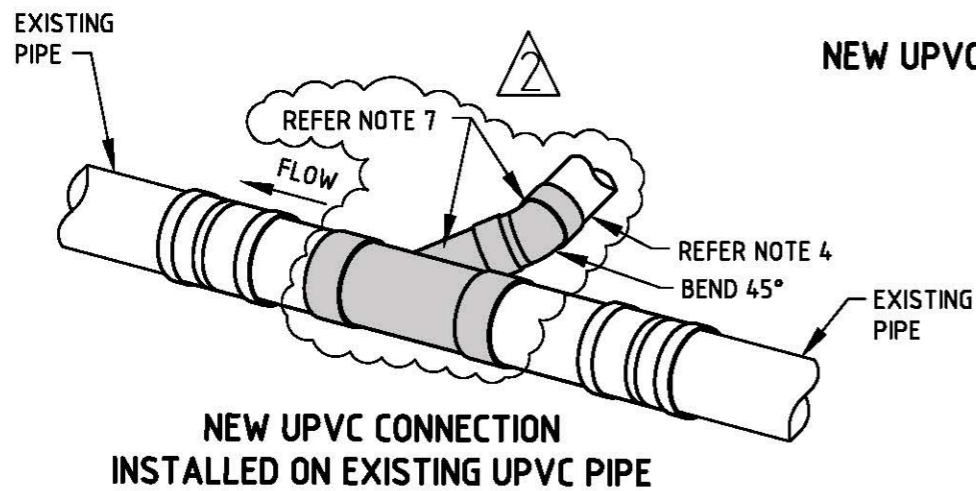
DESIGNED: 03/08/15 RJP	AUTHORISED: 31/03/16 T.GALEK
DRAWN: 25/09/15 MS	SIGNATURE: ORIGINAL SIGNED
REVIEWED: 21/03/16 TG	

**SA WATER STANDARD DRAWINGS
SEWER CONSTRUCTION MANUAL
MAINTENANCE SHAFT
WITH PROPERTY CONNECTION**

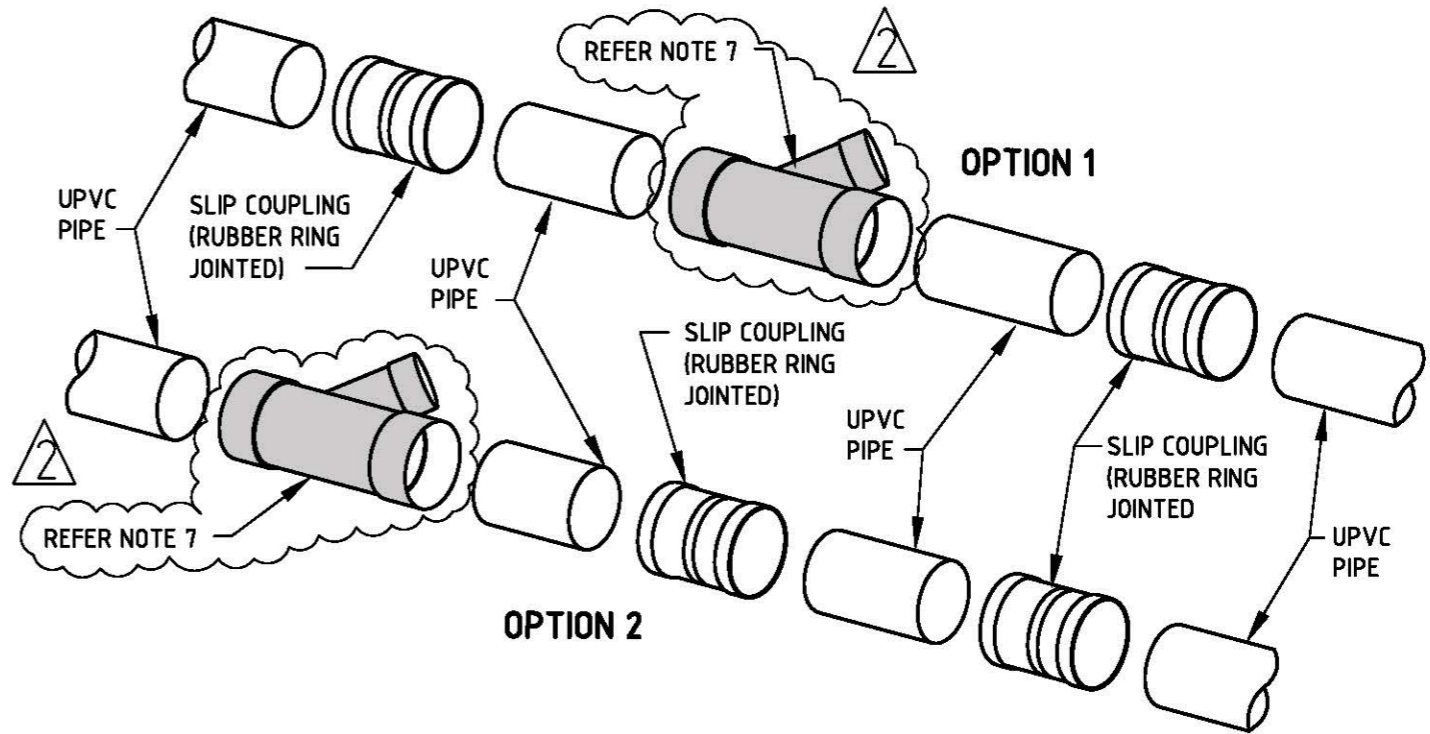
A3 SHT SIZE	4 REVISION
TOTAL SHEETS:	
SUPERSEDES:	
DRAWING NUMBER 4005-20006-08	
PREFIX	NUMBER SHEET



NEW UPVC CONNECTION INSTALLED ON EXISTING VC PIPE
REFER NOTE 2



NEW UPVC CONNECTION INSTALLED ON EXISTING UPVC PIPE



NOTES:

1. REFER 4005-20002-01 TO 4005-20002-03 FOR GENERAL NOTES.
2. THE VC PIPE ARRANGEMENT IS SIMILAR TO THE UPVC ARRANGEMENT WITH AN ADAPTOR AT EACH END.
3. THE USE OF 2 SLIP COUPLINGS ALLOWS THE PRE-ASSEMBLED ARRANGEMENT TO BE FITTED WITH A MINIMUM OF END CLEARANCE/ DISCONTINUITY. ALTERNATIVES FOR POSITION OF COUPLINGS ARE DISPLAYED IN OPTIONS 1 & 2.
4. REFER SECTION 6 FOR CONNECTION CONSTRUCTION.
5. FOR TRUNK SEWERS, TEMPORARY ISOLATION OR DIVERSION OF FLOWS MAY BE NECESSARY DURING LIVE INSTALLATIONS. METHOD FOR UNDERTAKING WORK SHALL BE APPROVED BY THE SA WATER REPRESENTATIVE PRIOR TO COMMENCEMENT.
6. THE USE OF AN ALTERNATIVE ADAPTOR SYSTEM SHALL BE APPROVED BY THE SA WATER REPRESENTATIVE.

7. ALL FITTINGS IDENTIFIED BY SHADING SHALL BE A 'REINFORCED' FITTING REFER TS 0502.3.2.1.1

REVISION PANEL					DESIGN PANEL			 SA WATER STANDARD DRAWINGS SEWER CONSTRUCTION MANUAL UPVC FITTINGS FOR CONNECTION FROM EXISTING UPVC & VC SEWERS	A3	2
REV	DATE	DRN	DETAILS	APR	CURRENT REV	DESIGNED:	AUTHORISED:		SHT SIZE	REVISION
					26/02/19	03/08/15	31/03/16			
					AUTHORISED:	RJP	T.GALEK			
					T. GALEK	DRAWN:	SIGNATURE:			
					SIGNATURE:	MS				
2	10/01/19	RP	REINFORCED FITTINGS ADDED WHERE INDICATED	TG		25/09/15				
1	31/03/16	MS	2016 STANDARDS REVIEW	TG		21/03/16	ORIGINAL SIGNED			
								TOTAL SHEETS: SUPERSEDES: K13, K14 DRAWING NUMBER 4005-20006-09 PREFIX NUMBER SHEET		