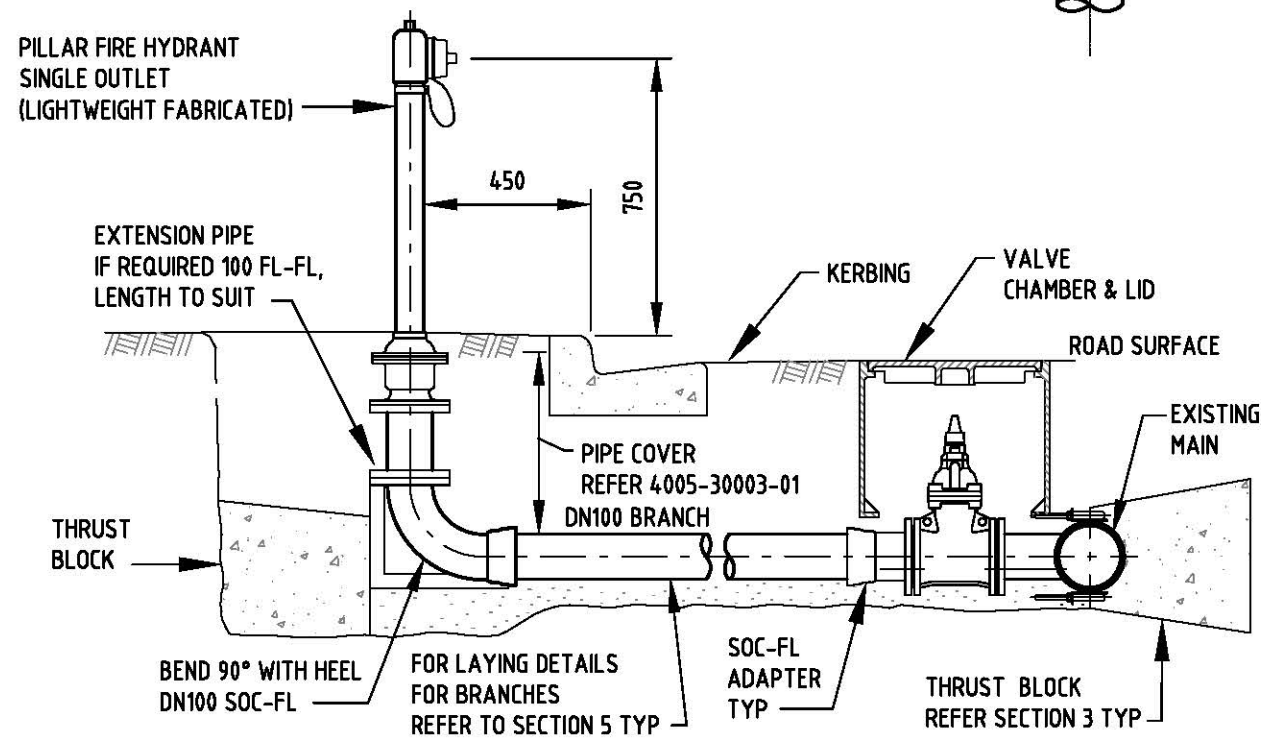


PILLAR FIRE HYDRANT - DOUBLE OUTLET (HEAVYWEIGHT CAST) SHALL BE USED ON ADELAIDE AND NORTH ADELAIDE STREETS




PILLAR FIRE HYDRANT SINGLE OUTLET (LIGHTWEIGHT FABRICATED) SHALL BE USED ON URBAN ROADS

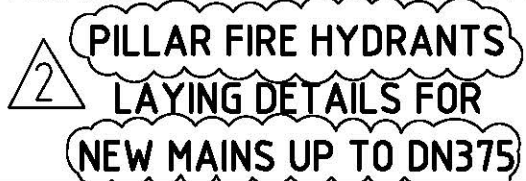
NOTES:

1. REFER 4005-30002-01 FOR GENERAL NOTES.
2. IF THE THE BRANCH OFFTAKE IS TO BE UNDERTAKEN AS A LIVE CONNECTION (UNDER PRESSURE TAPPING), THE WORK SHALL ONLY BE UNDERTAKEN BY AN AUTHORISED CONTRACTOR. REFER **AUTHORISED PRODUCTS FOR WATER INFRASTRUCTURE DOCUMENT FOR CONTRACTORS APPROVED TO PERFORM THIS WORK.**
3. ALL DIMENSIONS IN MILLIMETRES.

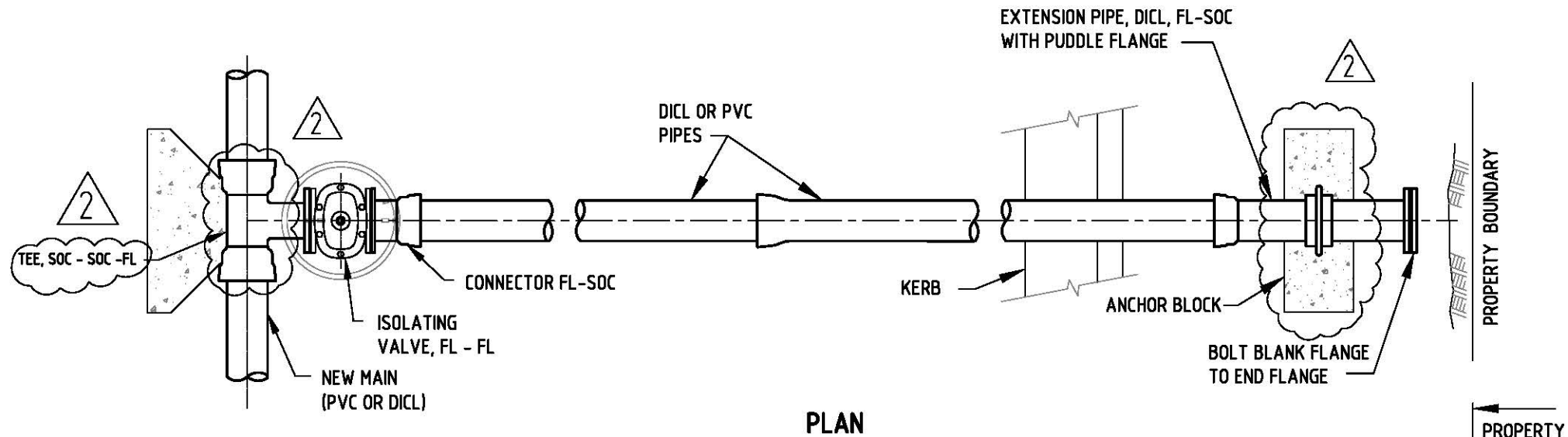
REVISION PANEL				
REV	DATE	DRN	DETAILS	APR
2	03/05/18	RP	DRAWING TITLE CHANGED	
1	31/03/16	MS	2016 STANDARDS REVIEW	TG

DESIGN PANEL			
DESIGNED:	28/09/15	AUTHORISED:	31/03/16
RJP		T.GALEK	
DRAWN:	16/11/16	SIGNATURE:	
MS			
REVIEWED:	21/03/16	ORIGINAL SIGNED	
TG			

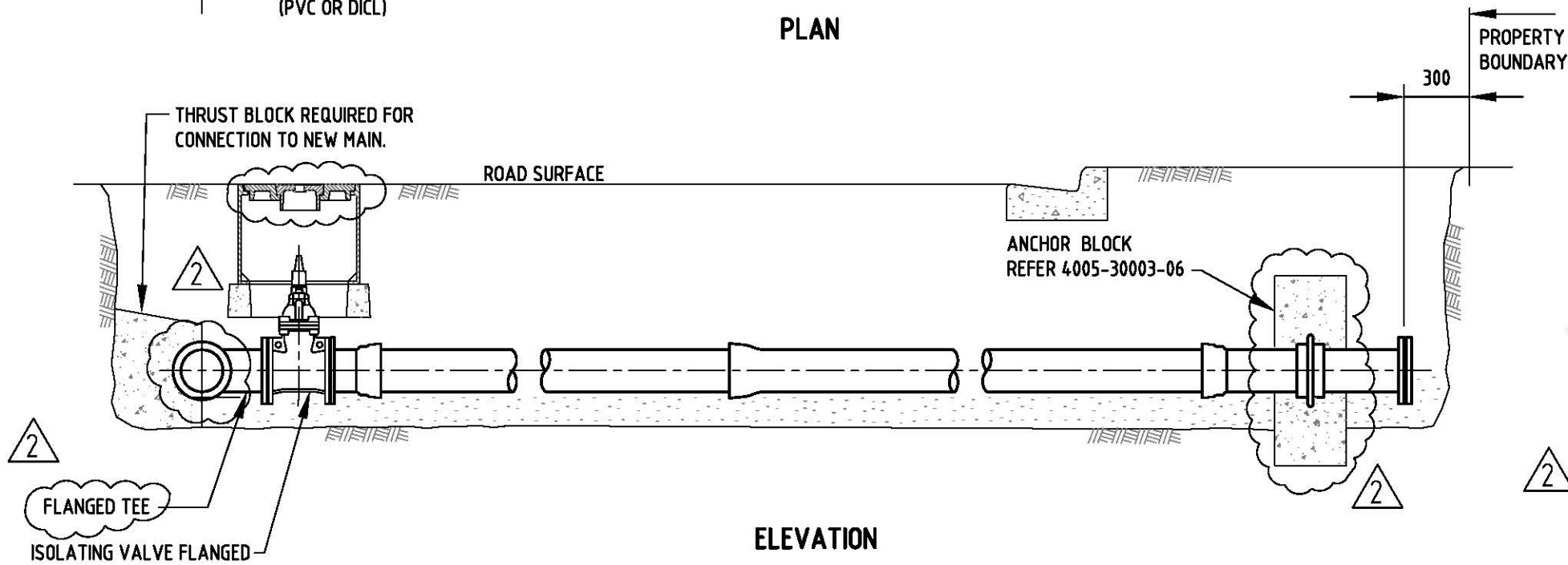

 This drawing is the property of the SOUTH AUSTRALIAN WATER CORPORATION and shall not be copied or modified in part or in whole without authorization.

SA WATER STANDARD DRAWINGS
WATER SUPPLY CONSTRUCTION MANUAL


A3	2
SHT SIZE	REVISION
TOTAL SHEETS:	
SUPERSEDES: 91-0068-01 (F1)	
DRAWING NUMBER	
4005-30009-01	
PREFIX	NUMBER SHEET



PLAN



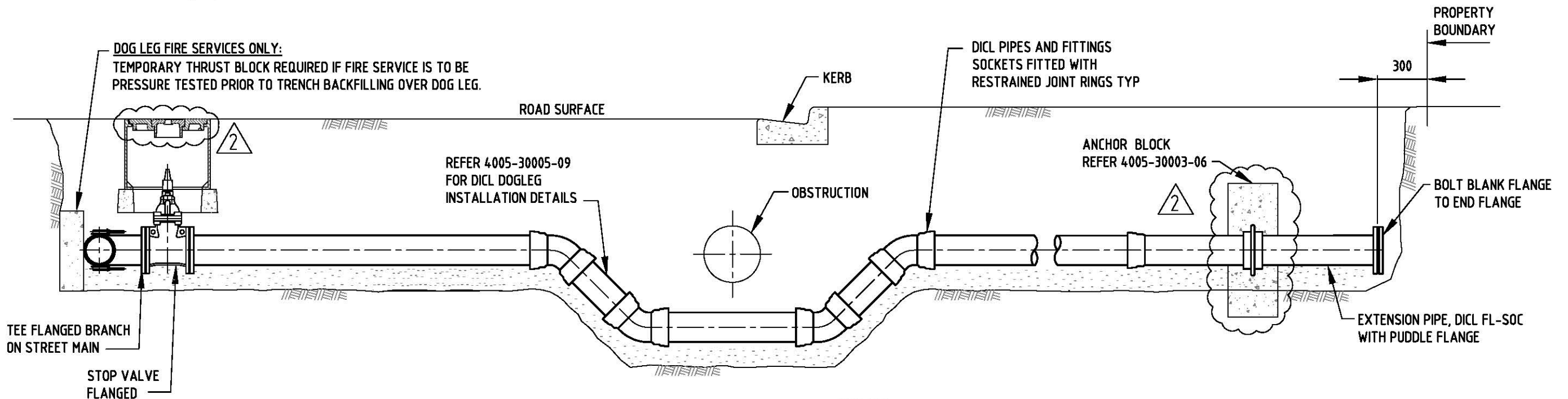
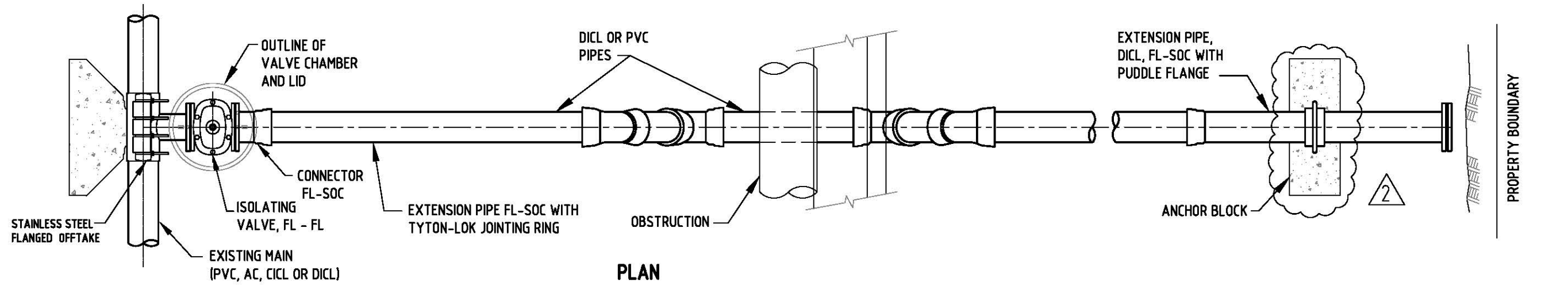
ELEVATION

**FIRE SERVICE OFF NEW MAIN
DN100, DN150 & DN200
USING DICL OR PVC PIPE**

NOTES:

1. REFER 4005-30002-01 FOR GENERAL NOTES.
2. SHOULD THE FIRE SERVICE ORIGINATE FROM AN EXISTING STEEL MAIN, CONSULT THE CATHODIC PROTECTION SPECIALIST FOR DETERMINATION OF CATHODIC PROTECTION REQUIREMENTS.
3. IF AN OBSTRUCTION IS ENCOUNTERED REQUIRING A DOGLEG, REFER 4005-30009-03 OR 4005-30005-09.
4. THE LAST LENGTH OF PIPE SHALL BE RESTRAINED BY AN ANCHOR BLOCK.
5. REFER SECTIONS 3 & 5 FOR:
 - EXCAVATION, EMBEDMENT & PIPE COVER.
 - THRUST AND ANCHOR BLOCKS.
 - FOR LAYING DETAILS FOR BRANCHES.
 - CATHODIC PROTECTION.
6. IN ADELAIDE CBD THIS PIPEWORK SHALL BE:
 - RESTRAINED JOINT RING DICL,
 - FLANGED DICL, OR
 - FLANGED MSCL.
7. ALL MSCL PIPEWORK SHALL BE PROTECTED WITH BITUMEN MASTIC TAPE SYSTEM IN ACCORDANCE WITH SA WATER SPECIFICATION TS 18.
8. ALL DIMENSION IN MILLIMETRES.

REVISION PANEL				DESIGN PANEL		 SA WATER STANDARD DRAWINGS WATER SUPPLY CONSTRUCTION MANUAL FIRE SERVICES OFF NEW WATER MAIN	A3	2
REV	DATE	DRN	DETAILS	APR	CURRENT REV 16/12/16		SHT SIZE	REVISION
					DESIGNED: 28/09/15 RJP	AUTHORISED: 31/03/16 T. GALEK	TOTAL SHEETS:	
					DRAWN: 16/11/15 MS	SIGNATURE:	SUPERSEDES: 91-0068-02 (F2)	
2	21/11/16	RJP	TEE AT MAIN. ANCHOR BLOCK RELOCATED.		REVIEWED: 21/03/16 TG	ORIGINAL SIGNED	DRAWING NUMBER	
1	31/03/16	MS	2016 STANDARDS REVIEW	TG			4005-30009-02	
							PREFIX	NUMBER SHEET



**FIRE SERVICE OFF EXISTING MAIN
DN100, DN150 & DN200 MAINS USING DICI PIPE
(SHOWN WITH A DOGLEG & RESTRAINED JOINT RINGS)**

NOTES:

1. REFER 4005-30002-01 FOR GENERAL NOTES.
2. IF THE THE BRANCH OFFTAKE IS TO BE UNDERTAKEN AS A LIVE CONNECTION (UNDER PRESSURE TAPPING), THE WORK SHALL ONLY BE UNDERTAKEN BY AN AUTHORISED CONTRACTOR. REFER TS 0503, CLAUSE 9.3 FOR AUTHORIZED CONTRACTORS.
3. WHEN FIRE SERVICES ORIGINATE FROM A STEEL MAIN CONSULT THE CATHODIC PROTECTION SPECIALIST FOR DETERMINATION IF CATHODIC PROTECTION MAY BE REQUIRED.
4. REFER SECTIONS 3 & 5 FOR:
 - EXCAVATION, EMBEDMENT & PIPE COVER.
 - THRUST AND ANCHOR BLOCKS.
 - FOR LAYING DETAILS FOR BRANCHES.
 - DOG LEG CONSTRUCTION.
 - CATHODIC PROTECTION.
5. IN ADELAIDE CBD THIS PIPEWORK SHALL BE:
 - RESTRAINED JOINT RING DICI,
 - FLANGED DICI, OR
 - FLANGED MSCL.
6. ALL MSCL PIPEWORK SHALL BE PROTECTED WITH BITUMEN MASTIC TAPE SYSTEM IN ACCORDANCE WITH SA WATER SPECIFICATION TS 18.
7. ALL DIMENSION IN MILLIMETRES.

REVISION PANEL				
REV	DATE	DRN	DETAILS	APR
2	26/10/16	RP	ANCHOR BLOCK RELOCATED. LID & NOTES CHANGED.	
1	31/03/16	MS	2016 STANDARDS REVIEW	TG

DESIGN PANEL			
DESIGNED:	28/09/15	AUTHORISED:	31/03/16
RJP		T.GALEK	
DRAWN:	16/11/15	SIGNATURE:	
MS			
REVIEWED:	21/03/16	ORIGINAL SIGNED	
TG			

SA Water

This drawing is the property of the SOUTH AUSTRALIAN WATER CORPORATION and shall not be copied or modified in part or in whole without authorization.

SA WATER STANDARD DRAWINGS
WATER SUPPLY CONSTRUCTION MANUAL
FIRE SERVICES
OFF EXISTING WATER MAIN

A3	2
SHT SIZE	REVISION
TOTAL SHEETS: 1	
SUPERSEDES: 91-0068-02 (F2)	
DRAWING NUMBER	
4005-30009-03	
PREFIX	NUMBER SHEET